



The Machine condition monitoring diagnostic data receiver



Product Introduction

Intelligent diagnosis data receiver, is the internal and external communication conversion equipment of the machine condition monitoring and diagnosis instrument. The internal communication adopts Zigbee wireless technology for data transmission and management, and external support for WiFi, 4G and Ethernet communication form.

Hardware features

- ✓ The communication transmission scheme is diversified to suit different industrial site conditions;
- ✓ The number of access intelligent wireless diagnostics ≤ 90 ;
- ✓ Dual processor architecture, with edge computing and data processing capabilities;
- ✓ Support communication with PLC and DCS;
- ✓ Visual barrier-free communication distance is not less than 300 meters
- ✓ (Optional) IP67 protection grade, flameproof explosion-proof certification;



The Machine condition monitoring diagnostic data receiver

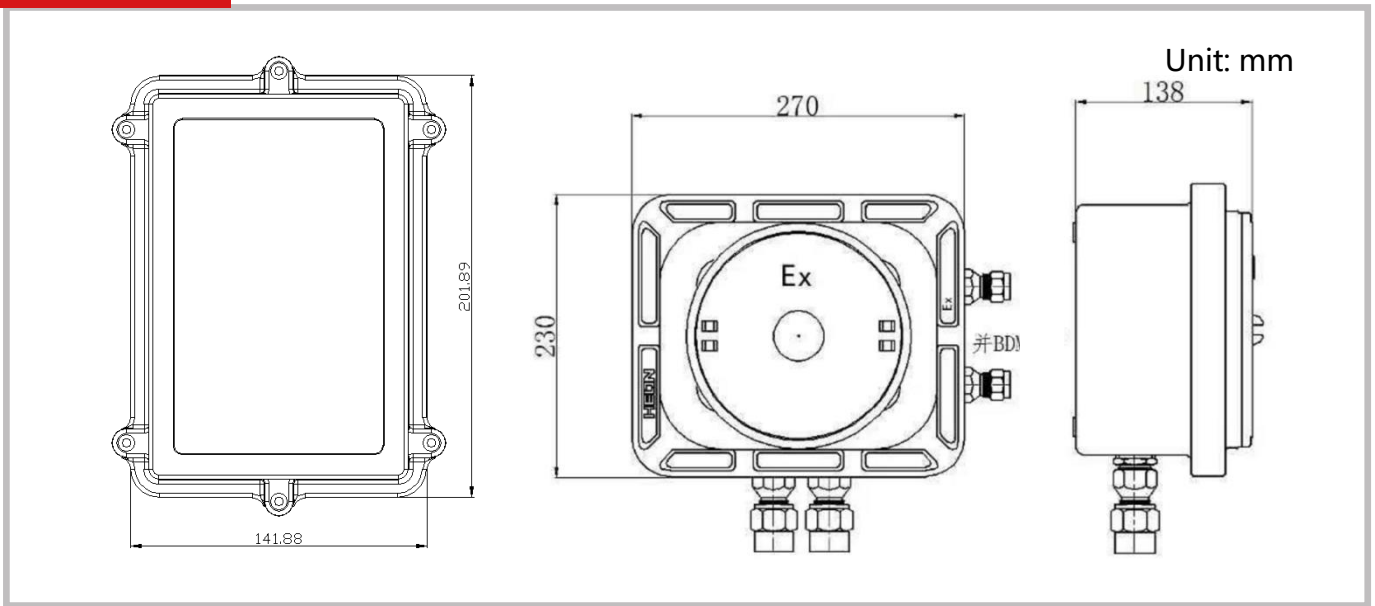
Product Specifications

Product model number	SD3400	SD3410
ZigBee Communications		
Network topology	Star shape	
Rf standard	IEEE 802.15.4	
Wireless frequency range	2.4 GHz ISM band	
Wireless frequency power	16dbm(Max)	
Wireless communication distance	300 meters visual barrier free distance (the actual communication distance depends on the scene)	
WIFI communication		
Rf standard	IEEE 802.11a /b/g/n/ac	
Wireless frequency range	2.400GHz to 2.4835GHz	
Rf output power	16dbm(Max)	
4G communication		
Support bands	Full NetCom (LTE-FDD\LTE-TDD\WCDMA\TD-SCDMA\CDMA\GSM)	
Rf output power	33dbm(Max peak GSM)	
Ethernet		
Communication standards	1000Base-TX/100Base-TX	
Transfer rate	1000Mbps	
Mechanical parameters		
Version	Standard EDITION	Flameproof edition
Body material	Cast aluminium	
Weight	1000g	
Overall dimension	200mm x 150 mm x 82mm	270mmx230mmx138mm
Level of protection	IP67	IP67
Power supply		
Ac (default)	AC220V	
Dc (optional)	DC24V	
POE (optional for Ethernet version)	Power on Ethernet	
Storage capacity		
Non-volatile storage	8G	





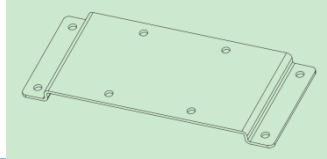
Machine condition monitoring diagnostic data receiver

Product size



Product accessories

The intelligent diagnostic data receiver can be used with the following accessories, which can be purchased or ordered separately or downloaded by the customer.

No.	Name	
1	ZIGBEE antenna HG2404U	
2	2.4G/5.8G gain 4db dual-band omnidirectional fiberglass antenna	
3	Mounting bracket (optional)	
4	Instaguard- Device Intelligent Care Diagnostic System Hardware User manual	
5	Instaguard- Device Intelligent Care Diagnostic System Quick Guide	