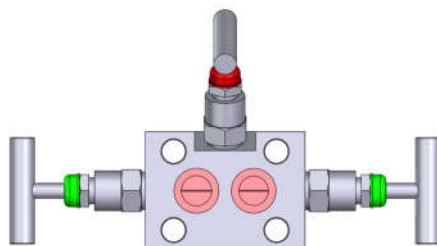


## Product introduction

## Description



FZ30

FZ30 valve manifolds are mainly used for input signal switching on and switching off, pressure balance and discharge operation of pressure/differential pressure transmitters, convenient for instruments installation, maintenance and inspection. FZ30 valve manifolds are widely used in industries of petroleum, chemical, metallurgical, power, liquid, natural gas and various of conveying pipelines.

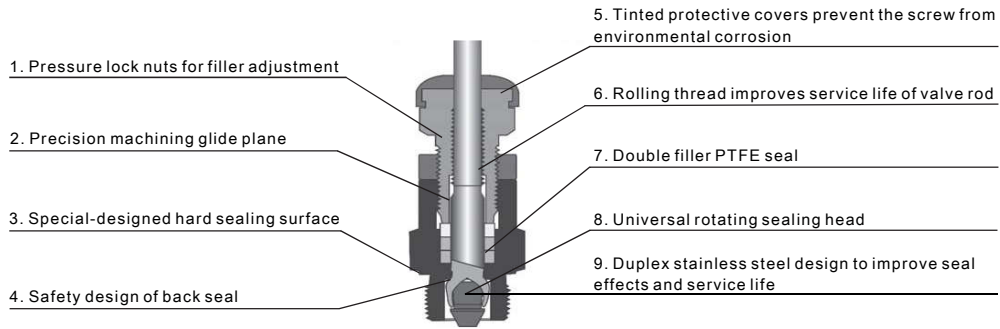
## Main parameters

Safety shotpin	Adopting stainless steel pin to prevent the valve seat out off the valve body due to vibration
Valve body design	Integral structure, firm and reliable.
Valve seat seal	Stainless steel seal, safe and reliable.
Valve spool	High-performance duplex stainless steel and spherical positioning function to improve sealing performance and service life of the valve
Lubricating grease	Imported grease used between the sealing gasket and adjusting screw to reduce friction and improve sealing performance.
Material	SUS316, SUS304, Monel, Hastelloy C
Marked cover	Green, red, blue mark for pressure-leading valve, balance valve, draining valve respectively
Stuffing box filler	PTFE
Working pressure	32MPa, 42MPa
Working temperature	≤150℃
Ambient temperature	-30℃-+93℃

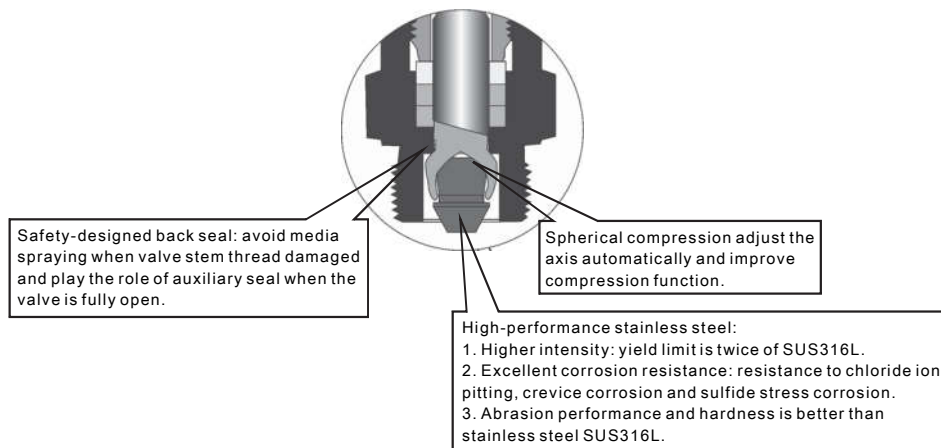
Product introduction

Structure features

Structure features of valve

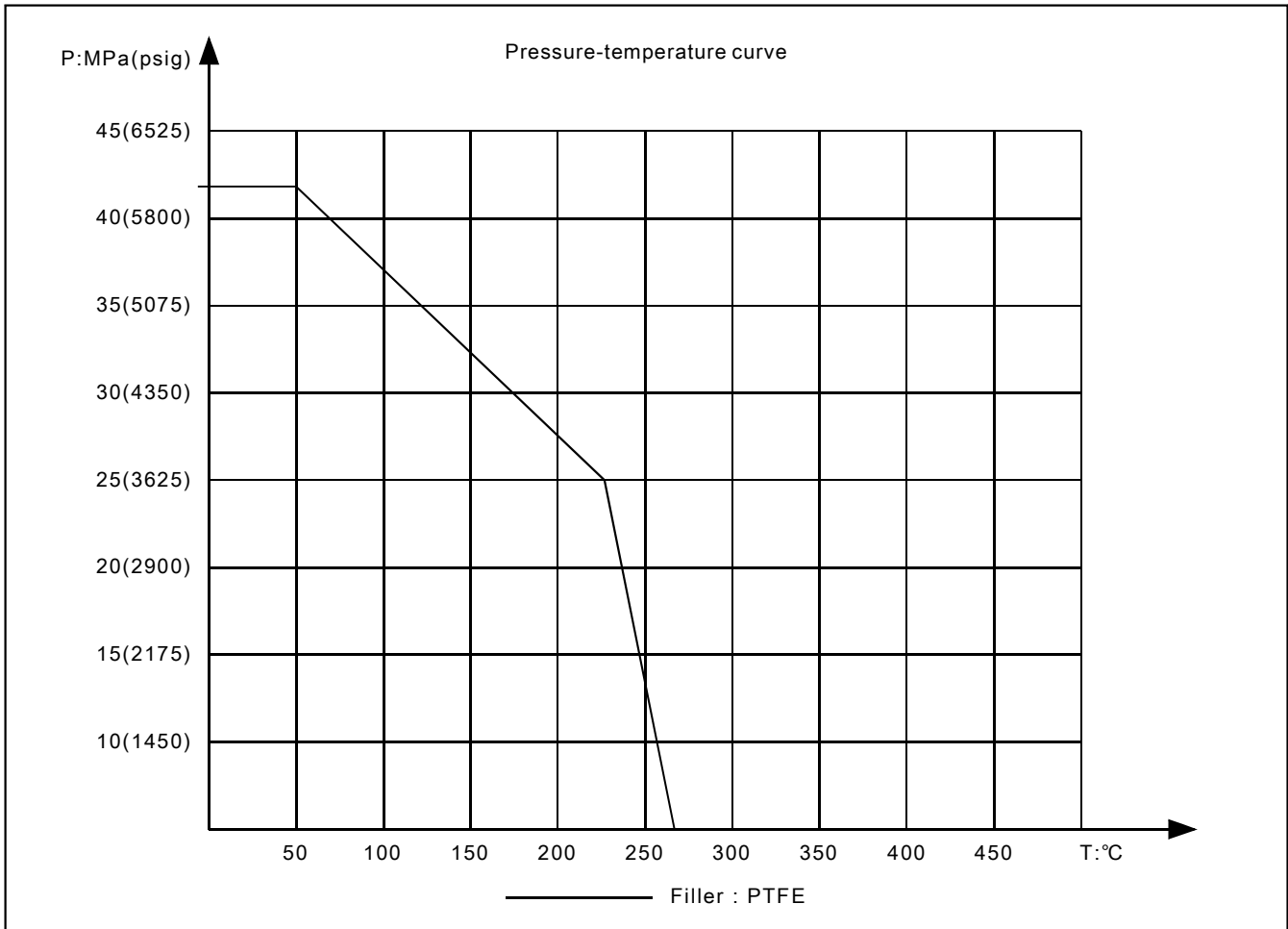


Structure features of valve spool



Product introduction

Pressure-temperature curve

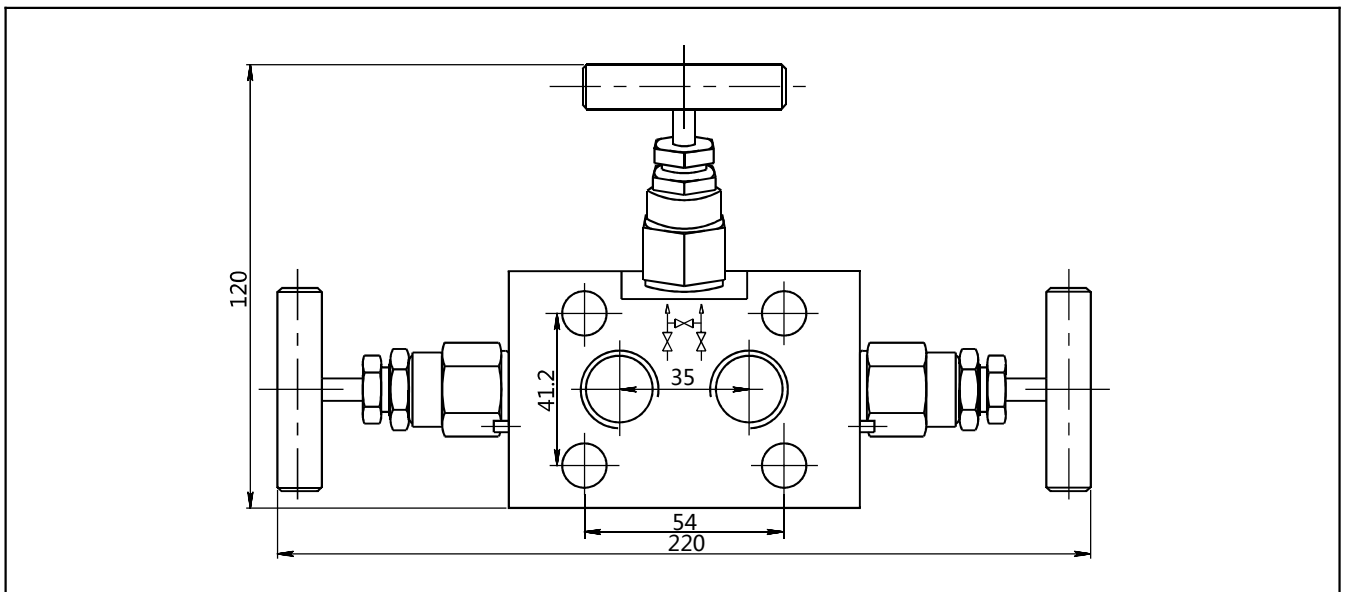


FZ30 three-valve manifold

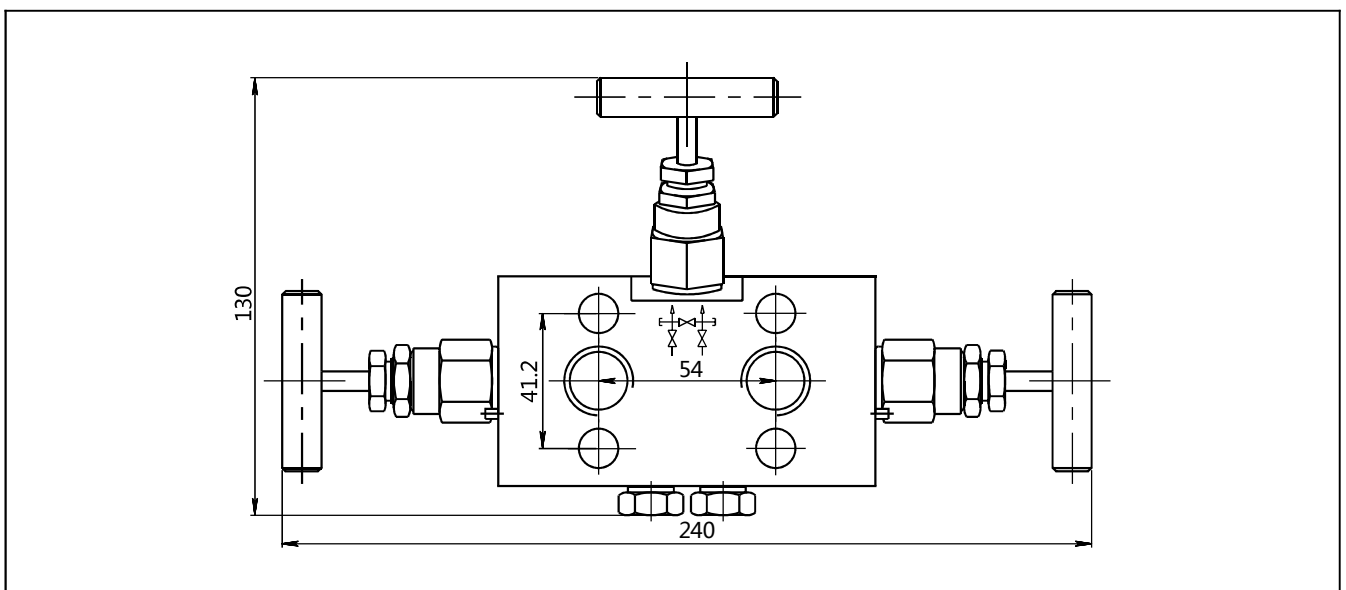
Three-valve manifold is matched with intelligent pressure transmitters, the function is leading signal from the input-pressure point to the positive and negative measurement chamber of differential pressure transmitter, so to realize the input pressure signal opening, closing or balancing of the transmitter.

Dimension

Hole center distance between valve body two ends(Mechanical side)(Unit: mm)



Hole center distance between valve body two ends(Instruments side)(Unit: mm)



Disclaimer: all the data used in the product description is not legally binding. Relevant technical details may be changed due to further improve

Ordering information chapter

0 =Provide - =Not provide

FZ	Code	Code description	
Types	30	3-valve Manifold	O
Separator	-	Detailed specifications as following	
Material	4	304 stainless steel	O
	6	316 stainless steel	O
	Y1	Customer	Discussed
Mechanical connection	N	1/2-14NPT(F)	O
	J	M20*1.5(M)	O
	C12	M20*1.5(M)with rear welding guiding pressure tube	O
	Y2	Customer	Discussed
Hole center distance between valve body two ends (Instruments side)	A	54mm	O
	B	55.2mm	O
	C	55.6mm	O
	D	57.2mm	O
	E	57.6mm	O
	Y3	Customer	Discussed
Hole center distance between valve body two ends ( Mechanical connection side)	S	Standard 35mm	O
	Y4	Customer	Discussed
Special requirement	Y5	Special explain	Discussed
Example	FZ30-4NAS		



**Shanghai LEEG Instruments Co.,Ltd**

ADD: No.100 Duhui Road, Minhang District, Shanghai China  
 Postcode:201109  
 Tel: (86) 21-31261976  
 Fax: (86) 21-31261975  
 E-mail:sales@leegsensor.com info@leegsensor.com  
 Web: www.leegsensor.com



scan & follow LEEG wechat



check website for more info