

Cylindrical

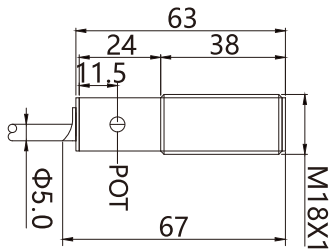
PM18 Series



| | | | | | |
|---------------------|---|-------------------|---|--------------------|--------------------|
| Appearance | | | | | |
| Sensing type | Diffuse reflection | | Retro-reflection | Thru-beam | |
| Sensing distance | 150mm | 500mm | 0.1-3m | 15m | |
| Indicator | Yellow | | | | |
| Switch frequency | 500HZ | | | | |
| Light source | Infrared LED 880nm | | | | |
| Operating voltage | 10-30V DC | | | | |
| Response time | < 2ms | | | | |
| Sensitivity | Single-turn potentiometer | | | | |
| Load current | ≤200mA | | | | |
| Power delay | < 300ms | | | | |
| Ambient temperature | -25°C ~ +55°C | | | | |
| Ambient humidity | 35-85% RH | | | | |
| Ambient illuminance | < 5000Lux | | | | |
| Protection degree | IP66 | | | | |
| Material | Housing: PBT/Nickel-plated copper ; Len: PMMA | | | | |
| Connection | PVC cable/2m; 4*0.25mm ² | | PVC cable/2m; 2*0.5mm ² /4*0.25mm ² | | |
| Model | NPN | PM18-D10NR | PM18-D40NR | PM18-R300NR | PM18-TM15NR |
| | PNP | PM18-D10PR | PM18-D40PR | PM18-R300PR | PM18-TM15PR |

Dimensions

Unit: mm



- Photoelectric
- Cylindrical
- Square**
- Flat type
- Thin type
- BGS
- Transparent detection
- Color/Mark Detection
- TOF type
- IP66K high protection type
- Anti-glare type
- IO-Link type
- Reflectors
- Reflectors

Cylindrical

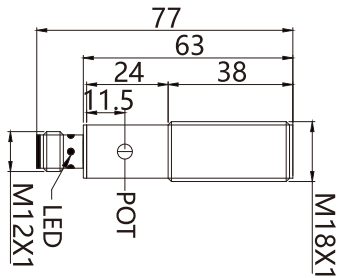
PM18 Series



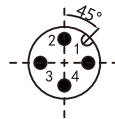
| | | | | |
|---------------------|---|----------------------|----------------------|-----------------------|
| Appearance | | | | |
| Sensing type | Diffuse reflection | | Retro-reflection | |
| Sensing distance | 150mm | 500mm | 0.1-3m | |
| Indicator | Yellow | | | |
| Switch frequency | 500HZ | | | |
| Light source | Infrared LED 880nm | | | |
| Operating voltage | 10-30V DC | | | |
| Response time | < 2ms | | | |
| Sensitivity | Single-turn potentiometer | | | |
| Load current | ≤200mA | | | |
| Power delay | < 300ms | | | |
| Ambient temperature | -25°C ~ +55°C | | | |
| Ambient humidity | 35-85% RH | | | |
| Ambient illuminance | < 5000Lux | | | |
| Protection degree | IP66 | | | |
| Material | Housing: PBT/Nickel-plated copper ; Len: PMMA | | | |
| Connection | M12 connector | | | |
| Model | NPN | PM18-D10NR-E2 | PM18-D40NR-E2 | PM18-R300NR-E2 |
| | PNP | PM18-D10PR-E2 | PM18-D40PR-E2 | PM18-R300PR-E2 |

Dimensions

Unit: mm



M12 Connector



- Fiber Optic
- Slot Sensors
- Photoelectric**
- Laser
- Proximity
- Displacement
- Magnetic
- Contact
- Area
- Ultrasonic
- Vision
- Code Readers
- Vibration
- Temperature
- Accessories

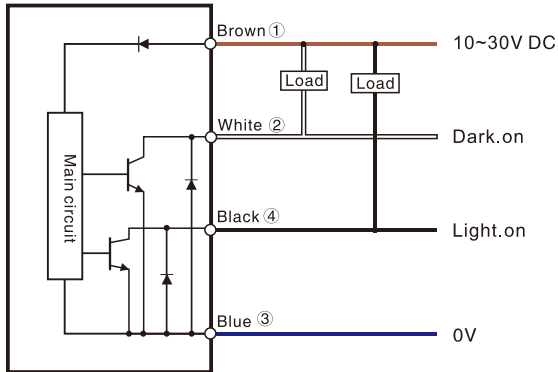
- Guidance
- Photoelectric
 - Cylindrical
 - Square**
 - Flat type
 - Thin type
 - BGS
 - Transparent detection
 - Color/Mark Detection
 - TOF type
 - IP66K high protection type
 - Anti-glare type
 - IO-Link type
- Reflectors
- Reflectors

Cylindrical

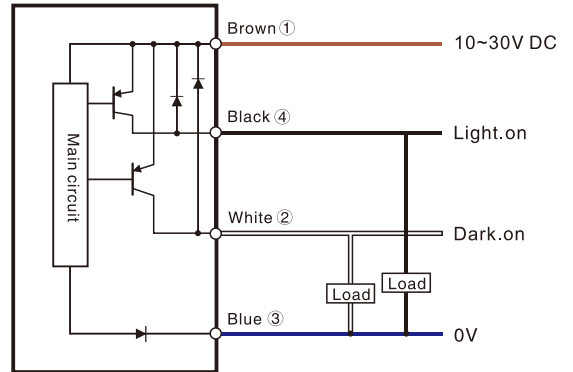
Circuit diagram

PM18-D10/40/TM15

NPN Output

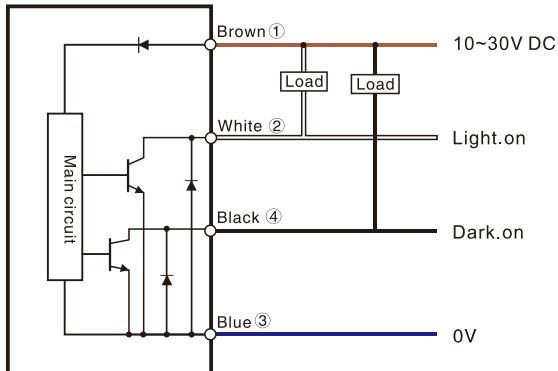


PNP Output

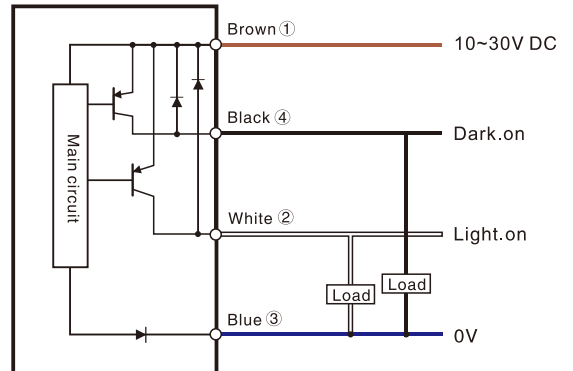


PM18-R300

NPN Output



PNP Output



| |
|----------------------------|
| Fiber Optic |
| Slot Sensors |
| Photoelectric |
| Laser |
| Proximity |
| Displacement |
| Magnetic |
| Contact |
| Area |
| Ultrasonic |
| Vision |
| Code Readers |
| Vibration |
| Temperature |
| Accessories |
| Guidance |
| Photoelectric |
| Cylindrical |
| Square |
| Flat type |
| Thin type |
| BGS |
| Transparent detection |
| Color/Mark Detection |
| TOF type |
| IP69K high protection type |
| Anti-glare type |
| IO-Link type |
| Reflectors |
| Reflectors |