

TOF LONG DISTANCE TYPE

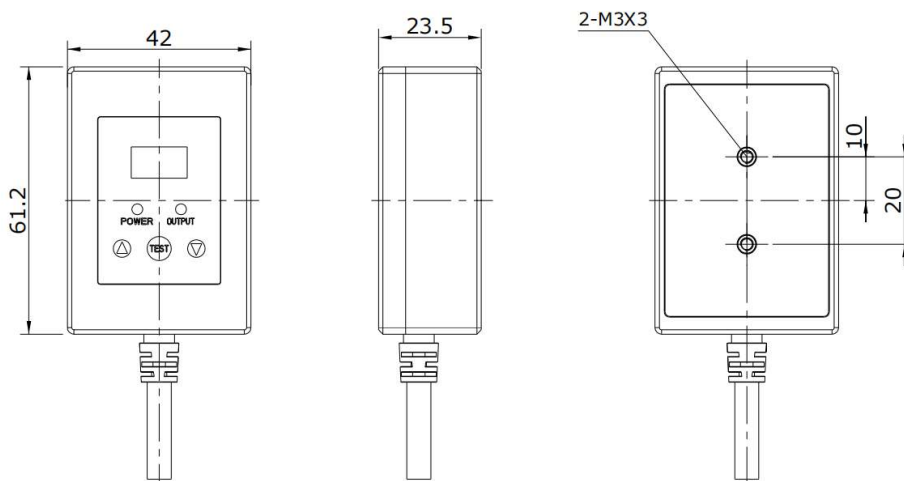
PX-FM Series



Housing			
Sensing distance	0.05-8m		
Resolution	1mm		
Repeat accuracy	< ±2mm		
Laser type	630-670nm, Class II, ≤1mW		
Mode	Single measurement / Continuous measurement / Quick measurement		
Response time	Single measurement:1s	Continuous measurement:200ms	Quick measurement:30-100ms
Size (L/W/H)	61.2x42x24mm		
Material	Metal		
Weight	200g		
Mounting	2-M3*3 screws		
Operating temperature	0°C ~80°C		
Storage temperature	-40°C ~ 60°C		
Humidity	Up to 95%,no condensation, temperature 40°C		
Ambient light	0-10000lux		
Operating voltage	24VDC±10%		5VDC±10%
Current consumption	Normal 44mA, max.65mA		Normal 50mA, max.150mA
Serial communication	RS485(Modbus)	RS232/4-20mA/0-10V	RS232
Input voltage			Active low
Output voltage	Active low	Active low,2 channel output	Active low
Cable	2m cable		1m cable
Model	PX-FM08-485	PX-FM08-IV-232	PX-FM08-232

DIMENSIONS

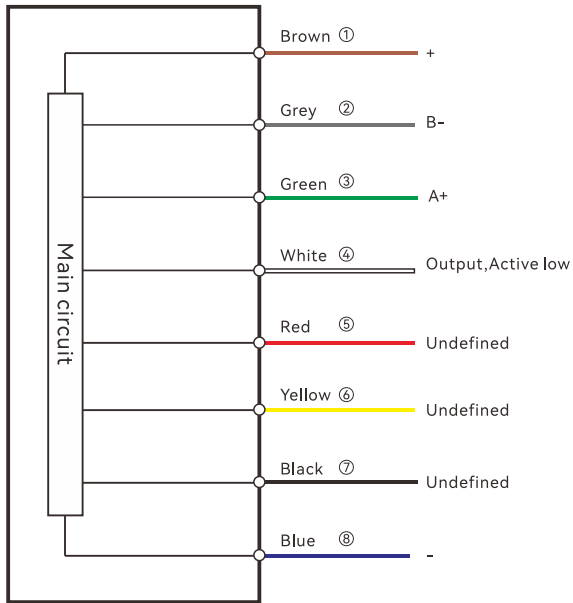
unit: mm



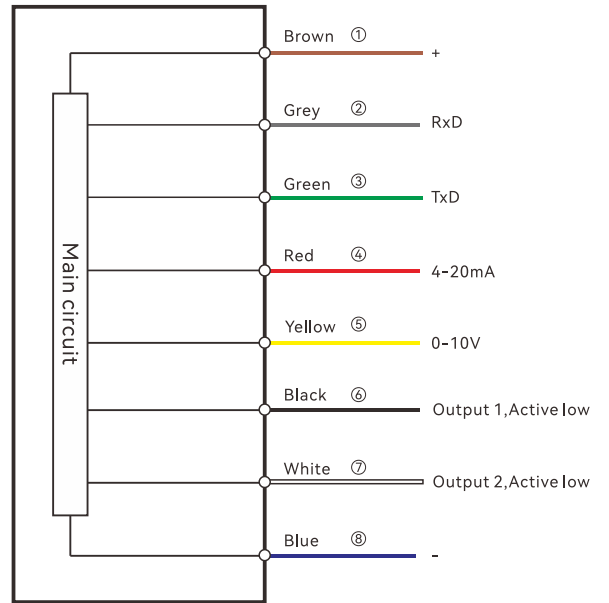
TOF LONG DISTANCE TYPE

Circuit Diagram

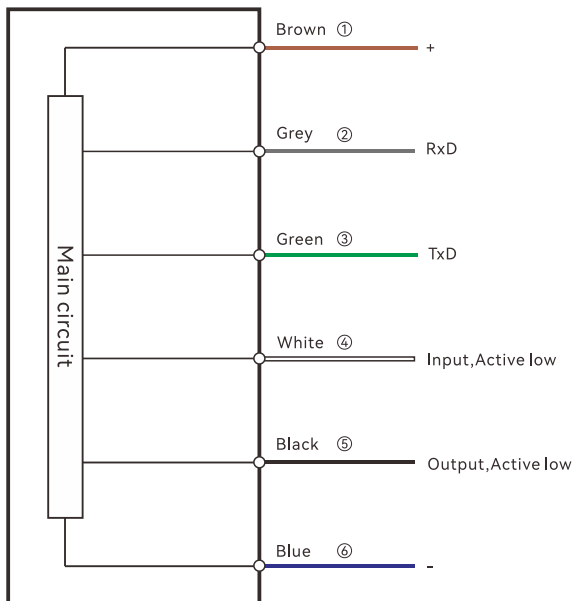
PX-FM08-485



PX-FM08-IV-232



PX-FM08-232



- Fiber Optic
- Slot Sensors
- Photoelectric
- Laser
- Proximity
- Displacement
- Magnetic
- Contact
- Area
- Ultrasonic
- Vision
- Code Readers
- Vibration
- Temperature
- Accessories

TOF LONG DISTANCE TYPE

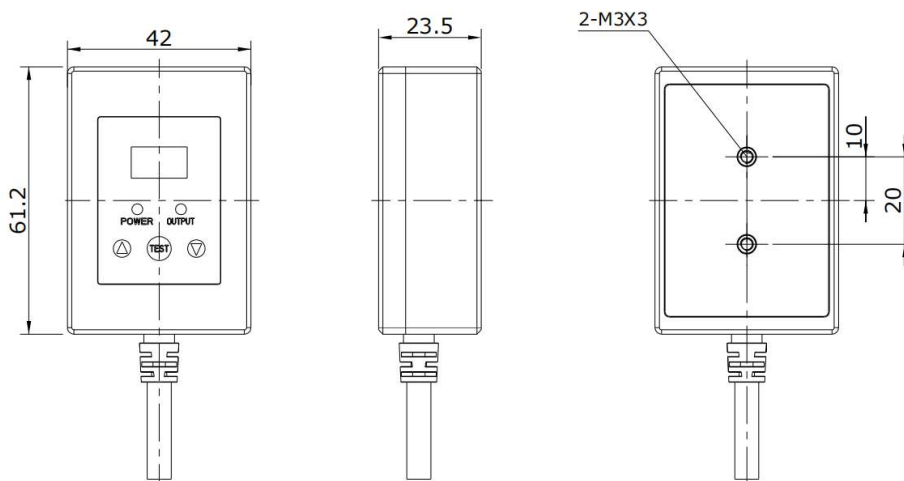
PX-FM Series



Housing			
Sensing distance	0.05~40m		
Resolution	1mm		
Repeat accuracy	< ±2mm		
Laser type	630-670nm, Class II, ≤1mW		
Mode	Single measurement / Continuous measurement / Quick measurement		
Response time	Single measurement:1s	Continuous measurement:200ms	Quick measurement:30-100ms
Size (L/W/H)	61.2x42x24mm		
Material	Metal		
Weight	200g		
Mounting	2-M3*3 screws		
Operating temperature	0°C ~ 80°C		
Storage temperature	-40°C ~ 60°C		
Humidity	Up to 95%,no condensation, temperature 40°C		
Ambient light	0-10000lux		
Operating voltage	12~26VDC		5VDC±10%
Current consumption	Normal 44mA, max.65mA		Normal 50mA, max.150mA
Serial communication	RS485(Modbus)	RS232/4-20mA/0-10V	RS232
Input voltage			Active low
Output voltage	Active low	Active low,2 channel output	Active low
Cable	2m cable		1m cable
Model	PX-FM40-485	PX-FM40-IV-232	PX-FM40-232

DIMENSIONS

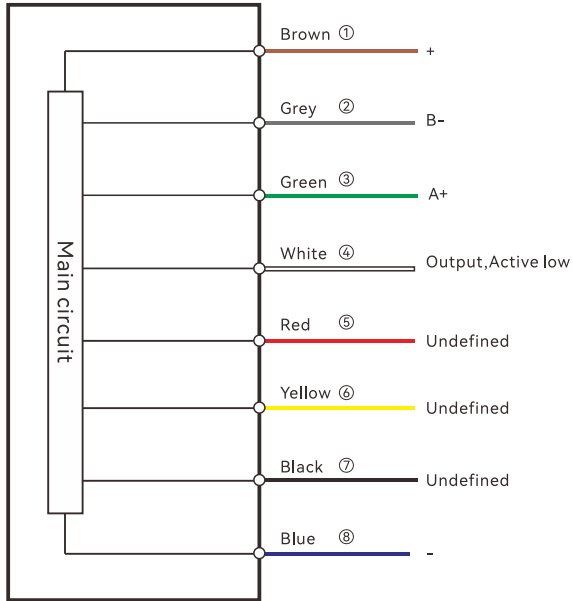
unit: mm



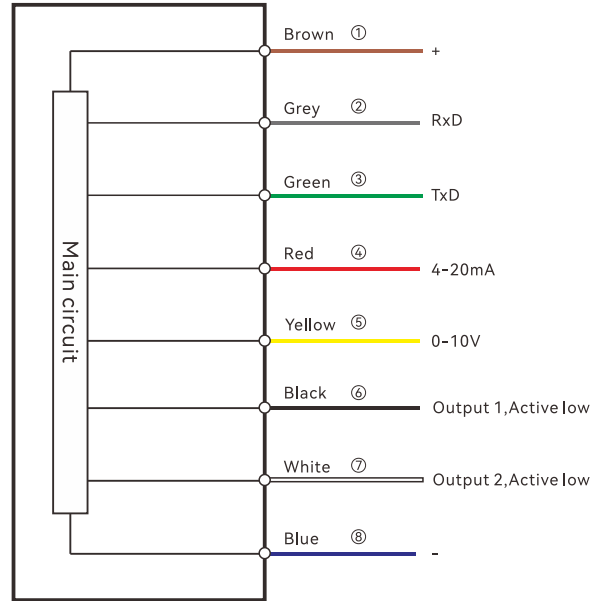
TOF LONG DISTANCE TYPE

Circuit Diagram

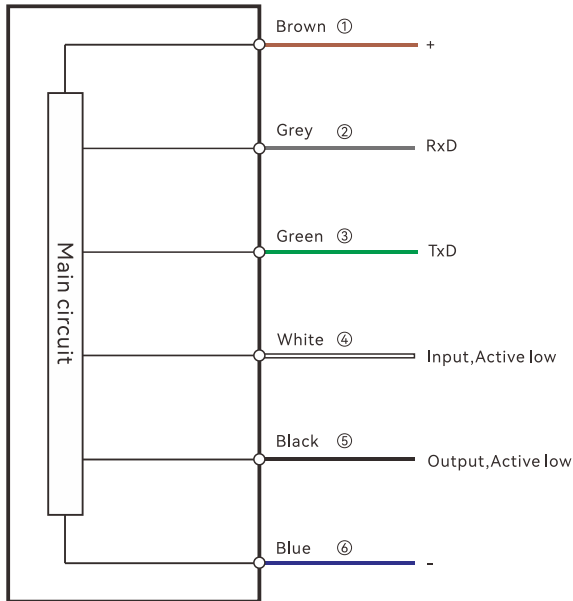
PX-FM40-485



PX-FM40-IV-232



PX-FM40-232



- Fiber Optic
- Slot Sensors
- Photoelectric
- Laser
- Proximity
- Displacement
- Magnetic
- Contact
- Area
- Ultrasonic
- Vision
- Code Readers
- Vibration
- Temperature
- Accessories

TOF LONG DISTANCE TYPE

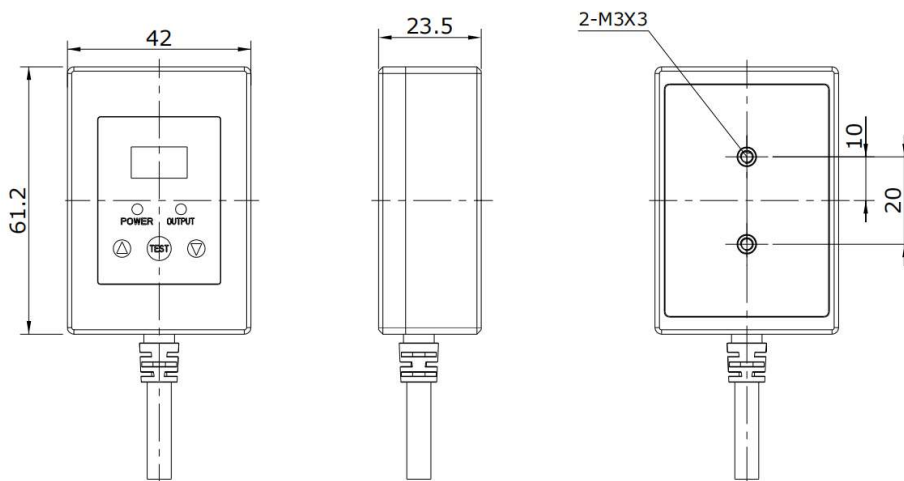
PX-FM Series



Housing			
Sensing distance	0.05~80m		
Resolution	1mm		
Repeat accuracy	< ±2mm		
Laser type	630-670nm, Class II, ≤1mW		
Mode	Single measurement / Continuous measurement / Quick measurement		
Response time	Single measurement:1s	Continuous measurement:200ms	Quick measurement:30-100ms
Size (L/W/H)	61.2x42x24mm		
Material	Metal		
Weight	200g		
Mounting	2-M3*3 screws		
Operating temperature	0°C ~ 80°C		
Storage temperature	-40°C ~ 60°C		
Humidity	Up to 95%,no condensation, temperature 40°C		
Ambient light	0-10000lux		
Operating voltage	24VDC±10%		5VDC±10%
Current consumption	Normal 44mA, max.65mA		Normal 50mA, max.150mA
Serial communication	RS485(Modbus)	RS232/4-20mA/0-10V	RS232
Input voltage			Active low
Output voltage	Active low	Active low,2 channel output	Active low
Cable	2m cable		1m cable
Model	PX-FM80-485	PX-FM80-IV-232	PX-FM80-232

DIMENSIONS

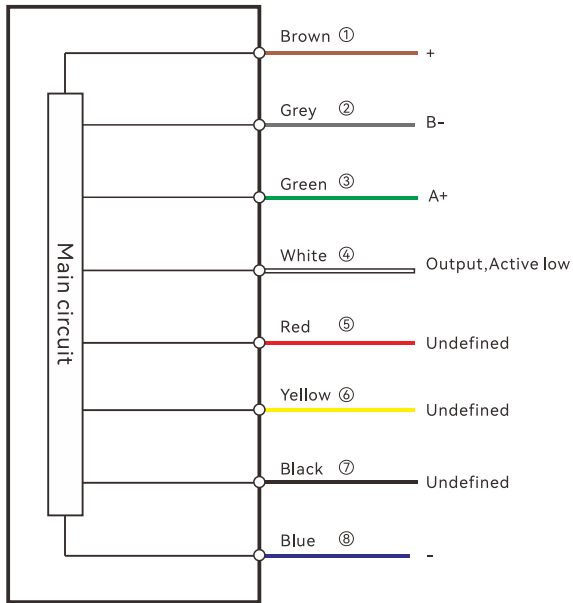
unit: mm



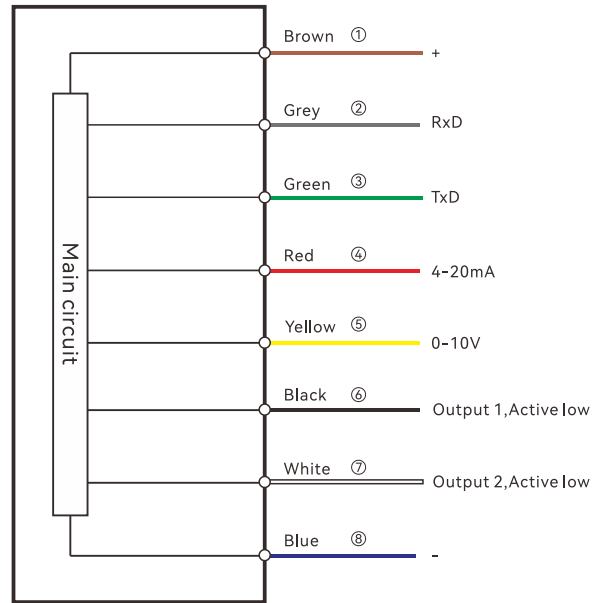
TOF LONG DISTANCE TYPE

Circuit Diagram

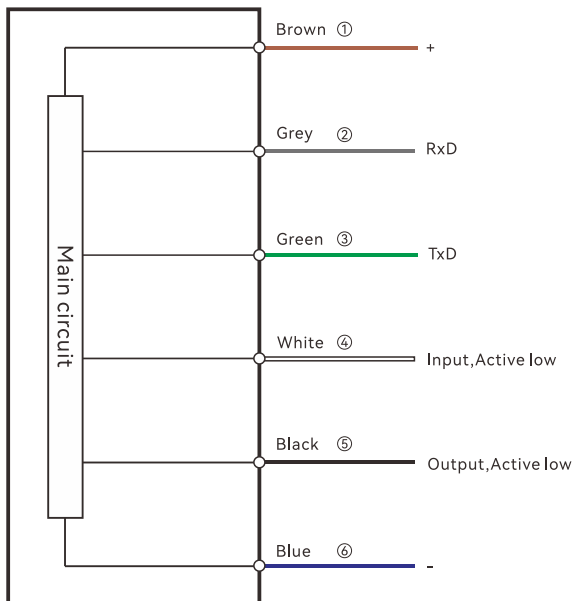
PX-FM80-485



PX-FM80-IV-232



PX-FM80-232



- Fiber Optic
- Slot Sensors
- Photoelectric
- Laser
- Proximity
- Displacement
- Magnetic
- Contact
- Area
- Ultrasonic
- Vision
- Code Readers
- Vibration
- Temperature
- Accessories