

Proximity rangefinder with high accuracy

ELT Series

Laser



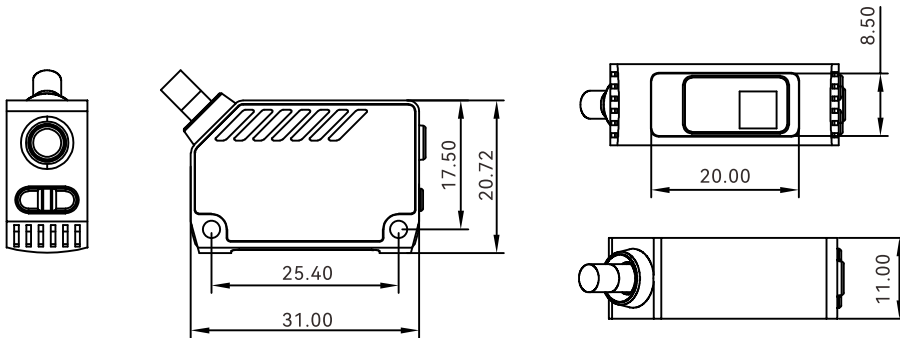
Appearance

Laser light source	Laser diodes 650nm, <1mW
Laser class	Class 1
Ranging frequency	1000Hz
Working distance	0.05m-3m @80% reflectivity
10% reflectivity	1.5m
Response time	1ms
Absolute accuracy	±40mm
Repeatability	±5mm
Operating voltage	9-30V
Interface	PNP/NPN
power consumption	< 0.6W
Weight	< 10g
Protection Degree	IP67
Ambient temperature	-20°C-+70°C
Storage temperature	-40°C-+100°C
Resistance to ambient light	< 50k lux
Model	NPN ELT-M3N
	PNP ELT-M3P

- Fiber Optic
- Slot Sensors
- Photoelectric
- Laser**
- Proximity
- Displacement
- Magnetic
- Contact
- Area
- Ultrasonic
- Vision
- Code Readers
- Vibration
- Temperature
- Accessories

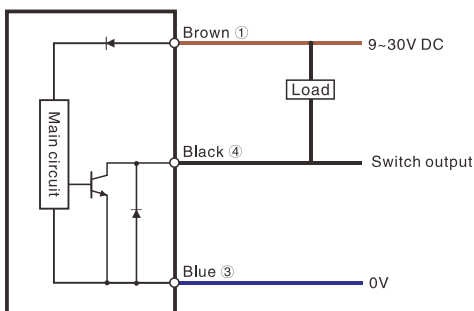
Dimensions

Unit: mm

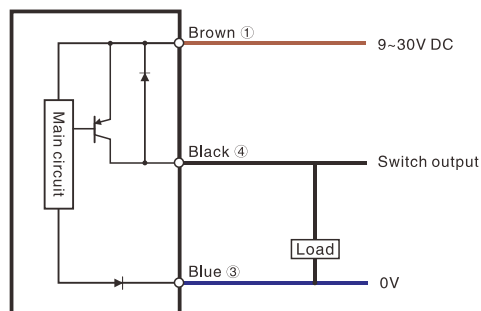


Circuit diagram

NPN Output



PNP Output



Guidance

Laser sensors

Square

BGS

Transparent objects detection