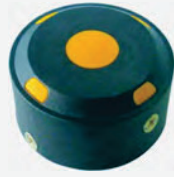


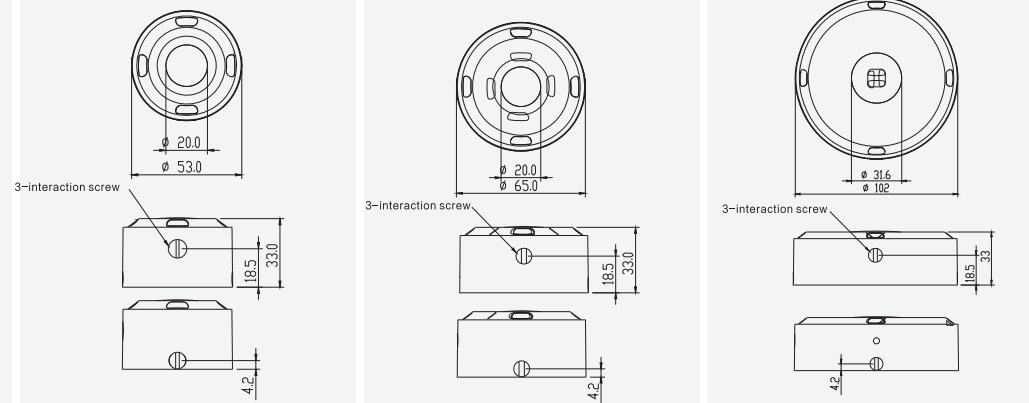


Size	53mm	65mm	102mm
			
	CE RoHS	CE RoHS	CE RoHS
Order No.	US0024	US0025	US0026
Sensing face number[pcs]	3		
Sensing face angle[degree]	90		
Sensing face dimension[mm]	Φ8 Circular		
Adjustment factors	Low carbon steel=1/stainless steel approx 0.7/Brass approx 0.4/Alumium approx 0.3/Copper approx 0.2		
Ambient temperature [°C]	-25...80		
Protection classification	IP67		
Housing material	PA66;PVC[Yellow marks]		
Installation	Φ6 locking screw		



Inductive Proximity Sensors

Capacitive Proximity Sensors

Valve Proximity Sensors

Speed Monitor