

# Economical Cylinder Sensor

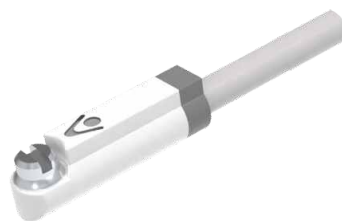
Magnetic



Economical Type

## Appearance

Switch logic	SPST open type	Electronic: regular	Electronic contactless; open type	
Switch type	Contact type magnetic spring tube	Two-wire contactless crystal type	Contactless Electrocrystal NPN Type	Contactless Electrocrystal PNP Type
Working voltage	5~24V DC	10~28V DC	5~30V DC	
Maximum switching current	100mA Max	50mA Max	200mA Max	
Maximum switching capacity	10W Max	1.4W Max	6W Max	
Internal consumption current	-	40 μ A Max.@24V	14mA Max@24V(Switch Active)	
Residual pressure	2.5V Max@100mA DC	2.65V Max@50mA DC	0.5V Max@200mA DC	
Leakage current	-	90 μ A Max.@28v	0.01mA Max	
Indicator	Red LED		Green LED	
Cable	2.9 f ,2C, grey oil-resistant PVC	2.9 f ,2C, grey oil-resistant TPU	2.9 f ,3C, grey oil-resistant TPU	
Sensitivity	40G	25-1000G		
Maximum switching frequency	200Hz	1000Hz		
Working temperature	-10~70° C			
Impact resistance	30G	50G		
Vibration resistance	9G			
Degree of protection	IP67 ( EN6052 )			
Circuit protection	-	Protection of sudden wave absorption	Power polarity reverse protection; sudden wave absorption protection; short circuit protection	
Model	<b>MR-30</b>	<b>MR-30G</b>	<b>MR-30N</b>	<b>MR-30P</b>



Economical Type

## Appearance

Switch logic	Electronic: regular
Switch type	Two-wire contactless crystal type
Suitable load	DC24V relay, PLC
Working voltage	10~30V DC
Maximum switching current	100mA Max
Maximum switching capacity	3W Max
Internal consumption current	6 μ A Max.@24V
Residual pressure	2.65V Max@50mA
Leakage current	40 μ A Max.@28v
Indicator	Red LED
Cable	2.8 f ,2C, grey oil-resistant TPU
Sensitivity	25-1000G
Maximum switching frequency	1000Hz
Working temperature	-10~70° C
Impact resistance	50G
Vibration resistance	9G
Degree of protection	IP67 ( EN6052 )
Circuit protection	Protection of sudden wave absorption
Model	<b>MR-C80</b>

Economical Type



## Appearance

Switch logic	Electronic: regular
Switch type	Two-wire contactless crystal type
Suitable load	DC24V relay, PLC
Working voltage	10~30V DC
Maximum switching current	100mA Max
Maximum switching capacity	3W Max
Internal consumption current	6 μ A Max.@24V
Residual pressure	2.65V Max@50mA
Leakage current	40 μ A Max.@28v
Indicator	Red LED
Cable	2.8 φ ,2C, grey oil-resistant TPU
Sensitivity	25~1000G
Maximum switching frequency	1000Hz
Working temperature	-10~70° C
Impact resistance	50G
Vibration resistance	9G
Degree of protection	IP67 ( EN6052 )
Circuit protection	Protection of sudden wave absorption
Model	<b>MR-C81</b>

Economical Type



## Appearance

Switch logic	Electronic: regular
Switch type	Two-wire contactless crystal type
Suitable load	DC24V relay, PLC
Working voltage	10~30V DC
Maximum switching current	100mA Max
Maximum switching capacity	3W Max
Internal consumption current	6 μ A Max.@24V
Residual pressure	2.65V Max@50mA
Leakage current	40 μ A Max.@28v
Indicator	Red LED
Cable	2.8 φ ,2C, grey oil-resistant TPU
Sensitivity	25~1000G
Maximum switching frequency	1000Hz
Working temperature	-10~70° C
Impact resistance	50G
Vibration resistance	9G
Degree of protection	IP67 ( EN6052 )
Circuit protection	Protection of sudden wave absorption
Model	<b>MR-C86</b>

- Fiber Optic
- Slot Sensors
- Photoelectric
- Laser
- Proximity
- Displacement
- Magnetic**
- Contact
- Area
- Ultrasonic
- Vision
- Code Readers
- Vibration
- Temperature
- Accessories

## Guidance

### Magnetic

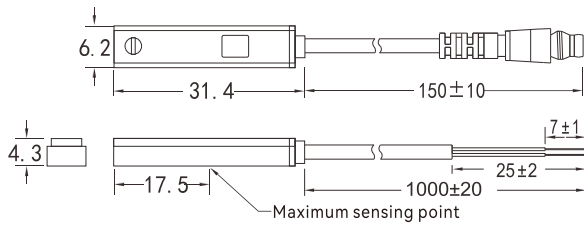
- Magnetic sensors
- High precision cylinder**
- Combined cylinder
- Near iron sensor
- Door sensors
- Linear sensors
- Ordinary magnets
- High precision composite magnets
- Mounting accessories

# Economical Cylinder Sensor

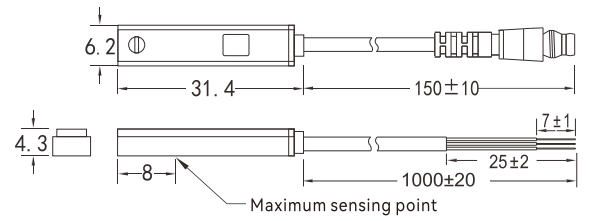
## Dimensions(Unit:mm)

Magnetic

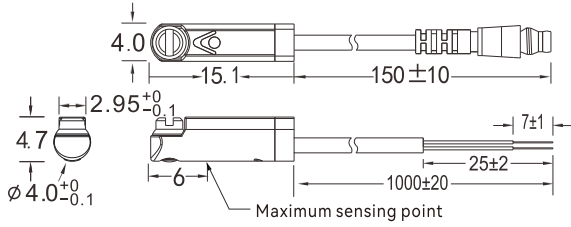
MR-30R/G



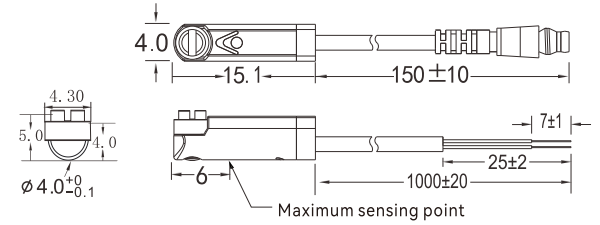
MR-30N/P



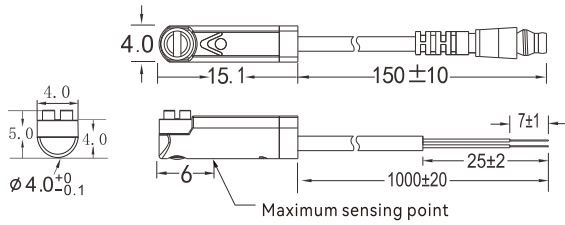
MR-C80



MR-C81

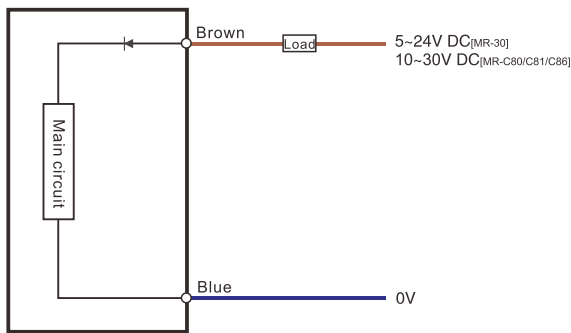


MR-C86

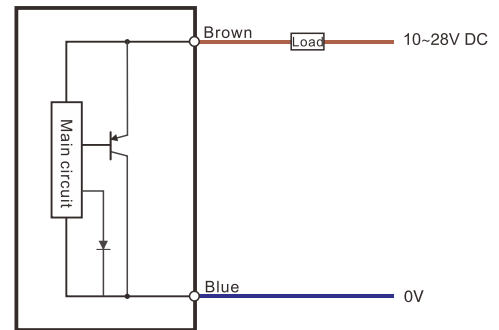


## Circuit diagram

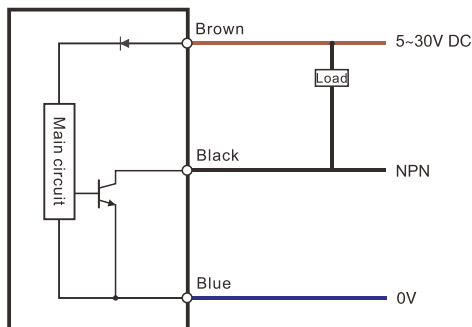
MR-30/C80/C81/C82



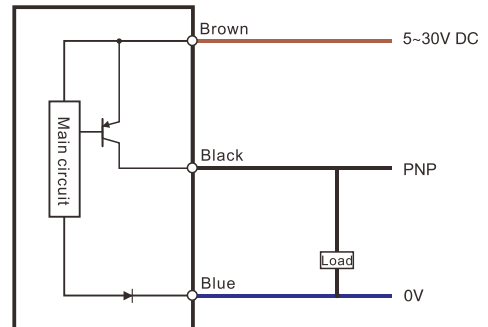
MR-30G



MR-30N



MR-30P



- Fiber Optic
- Slot Sensors
- Photoelectric
- Laser
- Proximity
- Displacement
- Magnetic
- Contact
- Area
- Ultrasonic
- Vision
- Code Readers
- Vibration
- Temperature
- Accessories
- Guidance

- Magnetic
- Magnetic sensors
- High precision cylinder
- Combined cylinder
- Near iron sensor
- Door sensors
- Linear sensors
- Ordinary magnets
- High precision composite magnets
- Mounting accessories