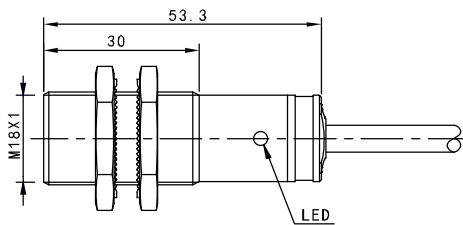




Appearance

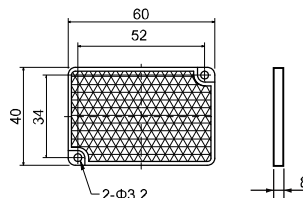
Sensing type	Diffuse reflection		Thru-beam		Retro-reflection	
Sensing distance	10cm(fixed)	40cm(adjustable)	1000cm(fixed)	2000cm(fixed)	300cm(fixed)	
Hysteresis	3~20%		...			
Repeat accuracy	< 5%					
Output type	NPN/PNP Open-collector					
Switch type	Selectable L.on/D.on					
Indicator	Yellow LED		Green LED(Emitter)/Yellow LED(Receiver)		Yellow LED	
Response time	< 8.2 ms					
Light source	Infrared LED(880nm)					
Operating voltage	10~30V DC					
Voltage drop	< 2.5V					
Current consumption	< 25mA					
Load current	< 200mA					
Protection circuit	Reverse polarity, short circuit, surge protection					
Ambient temperature	-15°C~ +55°C, No freezing					
Ambient humidity	35%~95%RH, No condensation					
Degree of protection	IP67					
Material	Nickel copper alloy					
Connection method	2M 4core cable					
Accessories	Mounting screws					
Model No.	NPN	PM18-D10NR	PM18-D40NR HOT	PM18-TM10NR	PM18-TM20NR	PM18-R300NR
	PNP	PM18-D10PR	PM18-D40PR	PM18-TM10PR	PM18-TM20PR	PM18-R300PR

Dimensions



Reflector for PM18-R300

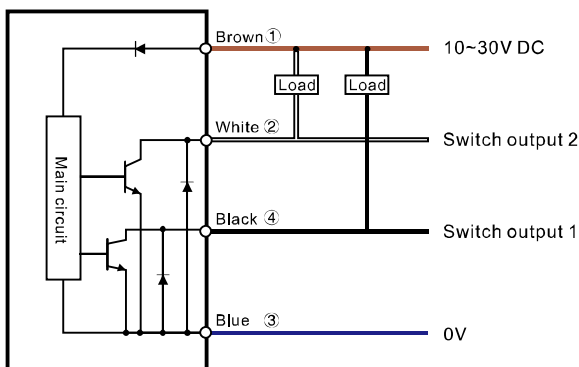
Unit: mm



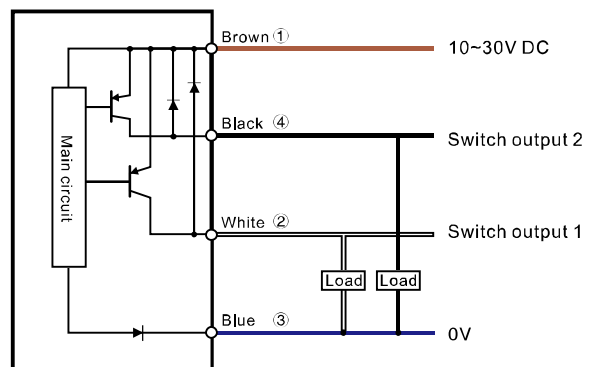
(Standard TD-09)

Circuit diagram

NPN Output



PNP Output



Fiber Optic

Slot Sensors

Photoelectric

Laser

Proximity

Displacement

Magnetic

Contact

Area

Ultrasonic

Vision

Code Readers

Vibration

Temperature

Accessories

Guidance

Photoelectric

Cylindrical

Square

Flat type

Thin type

BGS

Transparent detection

Color/Mark Detection

TOF type

IP69K high protection type

Anti-glare type

IO-Link type

Reflectors

Reflectors