

Product introduction

Description



Standard



With cooling element

Strong monosilicon gauge pressure transmitter

SMP858 monosilicon pressure transmitter is a high performance pressure transmitter with international leading technology meticulously designed by LEEG instrument, using the world's most advanced monosilicon pressure sensor technology and patent encapsulation technology. Monosilicon pressure sensor locates on the top of the metal body and stay away from the medium interface to realizes mechanical isolation and thermal isolation. Glass sintering sensor wire realizes high strength electrical insulation of metal base and improves the capability of flexibility of electronic circuit and transient voltage resistance protection. All these original encapsulation technologies enable SMP858 to easily cope with extreme chemical occasion and mechanical load, and own strong resistance to EMI, sufficient to respond to the most rigorous industrial environment applications, which are the genuine invisible instruments.

Main parameters

Pressure types	Gauge pressure
Measuring range	10kPa-40MPa, please refer to the ordering information chapter
Output signal	4-20mA, 4-20mA+HART, 0.5-4.5VDC, Modbus-RTU/RS485, customer
Reference accuracy	±0.2% URL, ±0.5% URL

Field of application

Pressure, level

Approvals



Measuring medium

The fluids which compatible with wetted parts

Technical specifications

Measuring range and limit

Nominal value	Smallest calibratable span	Lower range limit (LRL)	Upper range limit (URL)	Over pressure limit *
40kPa	10kPa	-40kPa	40kPa	1MPa
250kPa	25kPa	-100kPa	250kPa	4MPa
1MPa	100kPa	-100kPa	1MPa	6MPa
3MPa	300kPa	-0.1MPa	3MPa	15MPa
10MPa	1MPa	-0.1MPa	10MPa	20MPa
40MPa	5MPa	-0.1MPa	40MPa	80MPa

The unit of the measuring range above can be converted into kg/cm²、MPa and kPa. Provide other measuring range according to requirements. Adjust requirements: lower range value (LRV) and upper range value (URV) can be adjusted within the scope of the upper and lower range limit, minimum measuring range ≤ | URV - LRV | ≤ maximum measuring range.

*Limit value of overpressure: depends on the pressure value of the parts with lowest pressure capacity

Standard specifications and reference conditions

Test standard: GB/T28474 / IEC60770; Zero based-calibration span, Linear output, Silicon oil filling, 316L stainless steel isolated diaphragm

Performance specifications

The overall performance including but not limited to 【reference accuracy】 , 【environment temperature effects】 and other comprehensive error

Typical accuracy: ±0.2% URL

Stability: ±0.2% URL/ 1year

Reference accuracy

Including linearity, hysteresis and repeatability. calibration temperature: 20°C±5°C

Linear output accuracy	Typical value	±0.2%URL	Nominal value: 40kPa , 250kPa 1MPa, 3MPa 10MPa, 40MPa
	Max value	±0.5%URL	

Ambient temperature effects(Typical)

Within the range -20-80°C total impact ±0.2%URL/10k

Power supply effects

Zero and span change should not be more than ± 0.005% URL/V

Loading effects

Zero and span change should not be more than ± 0.05% URL/kΩ

Vibration effects

Vibration resistance	According to IEC60068-2-6 , 10g RMS (25-2000HZ)
Impact resistance	According to IEC60068-2-27 , 500g/1ms

Output signal

Signal	Type	Output
4-20mA	Linearity	Two wire
4-20mA+HART	Linearity	Two wire
0.5-4.5VDC	Linearity	Three wire
Modbus-RTU/RS485	Linearity	Four wire

Insulation resistance

≥20MΩ@ reference, 100VDC

Technical Specifications

Damping time

Total damping time constant: equal to the sum of damping time of amplifier and sensor capsule
Damping time of amplifier: 0-100S adjustable
Diaphragm capsule (isolated diaphragm and silicon oil filling) damping time: ≤ 0.2S
Startup after power off: ≤3S (with HART communication: ≤ 6S)
Normal services after data recovery : ≤4S (with HART communication:≤31S)

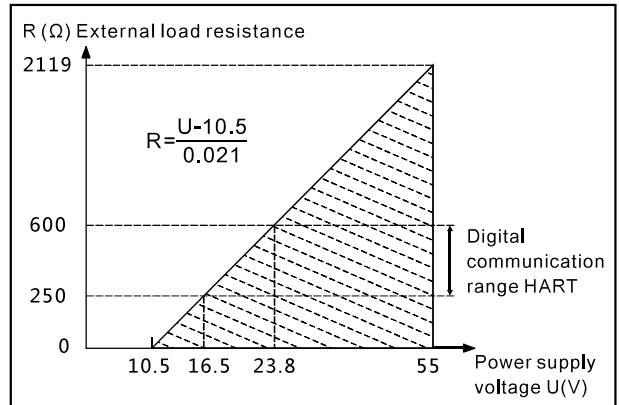
Power supply

Item	Operating conditions
Standard/flame proof	10.5-55VDC
HART protocol	16.5-55VDC, communication load resistance 250Ω
Load resistance	0-2119 Ω for working condition, 250-600Ω for HART protocol
Transmission distance	<1000m
Power consumption	≤500mW@24VDC , 20.8mA

Environment condition

Items	Operational condition
Working temperature	-40-85°C, integrated LCD display: -20-70°C
Storage temperature	-40-100°C, integrated LCD display: -40-85°C
Media temperature	Hygienic fluid filling: -10-125°C; with heat exchange connector: -10-250°C * Silicon oil filling: -40-120°C, with heat exchange connector: -40- 300°C *
Working humidity	0-95%RH
Protection class	IP67
Dangerous condition	ExialICT4(GYB16,1965X)**
*Using heat exchange connector may lead to zero offset and temperature drift. The degree depends on mounting position and filling fluid	
**Please consult engineers for details	

Power supply and load requirements



Technical Specifications

Signal output	4-20mA	4-20mA+HART*	0.5-4.5VDC	0.5-4.5VDC(proportional output)	RS485
Power supply voltage	12-30VDC	10.5/16.5-55VDC	6-15VDC	5VDC	5VDC/9-30VDC
Electric current	≤20.8mA		≤3.5mA		≤7mA
Load resistance(Ω)	<(U-12)/0.0208	<(U-10.5)/0.0208**	≥5k, recommend 100k		/
Transmission distance	<1000m		<5m		<1200m
Power consumption	≤500mW(20.8mA output@24VDC)		≤42mW(0.5-4.5VDC output, @12VDC)		≤168mW(RS485 output@24VDC)

*For this output type, the load resistance value in communication is 250Ω

**The load resistance value 0-2119Ω is in nominal working condition, 250-600Ω is HART communication

Technical Specifications
EMC environment (Only for current output)

NO.	Test items	Basic standards	Test conditions	Performance level
1	Radiated interference	GB/T 9254/CISPR22	30MHz-1000MHz	OK
2	Conducted interference (DC power port)	GB/T 9254/CISPR22	0.15MHz-30MHz	OK
3	Electrostatic discharge immunity test (ESD)	GB/T 17626.2/IEC61000-4-2	4kV(Contact),8kV(Air)	B(Note2)
4	Immunity to radio frequency EM-fields	GB/T 17626.3/IEC61000-4-3	10V/m(80MHz-1GHz)	A(Note1)
5	Power frequency magnetic field Immunity test	GB/T 17626.8/IEC61000-4-8	30A/m	A(Note1)
6	Electrical fast transient / Burst Immunity test	GB/T 17626.4/IEC61000-4-4	2kV(5/50ns, 100kHz)	B(Note2)
7	Surge immunity requirements	GB/T 17626.5/IEC61000-4-5	1kV(Line to line) 2kV(Line to ground) (1.2us/50us)	B(Note2)
8	Immunity to conducted disturbances induced by radio frequency fields	GB/T 17626.6/IEC61000-4-6	3V(150kHz-80MHz)	A(Note1)

(Note 1) Performance level A: The performance within the limits of normal technical specifications.

(Note 2) Performance level B: Temporary reduction or loss of functionality or performance, it can restore itself. The actual operating conditions, storage and data will not be changed.

Product selection instruction

Sensor select instruction

Code	Nominal value	Description
S403G	40kPa	Range -40kPa-40kPa, smallest calibratable span 10kPa
S254G	250kPa	Range -100kPa-250kPa, smallest calibratable span 25kPa
S105G	1MPa	Range -0.1MPa-1MPa, smallest calibratable span 100kPa
S305G	3MPa	Range -0.1MPa-3MPa, smallest calibratable span 300kPa
S106G	10MPa	Range -0.1MPa-10MPa, smallest calibratable span 1MPa
S406G	40MPa	Range -0.1MPa-40MPa, smallest calibratable span 5MPa

Adjust requirements: lower range value (LRV) and upper range value (URV) can be adjusted within the scope of the upper and lower range limit, minimum measuring range $\leq |URV - LRV| \leq$ maximum measuring range

Code	Position	Instruction
F	Sensor seal	Stainless steel welding seal

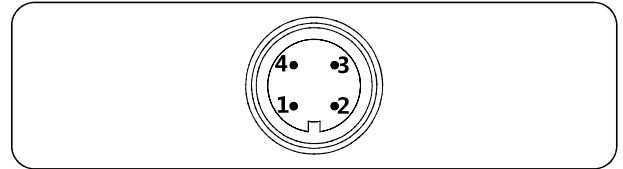
Electrical connection

Code	Description
H1	Aviation plug, M12*1(4pin), IP67

M12*1, 4pin,aviation plugs (H1)



M12*1, 4pin , Aviation plugs(H1)

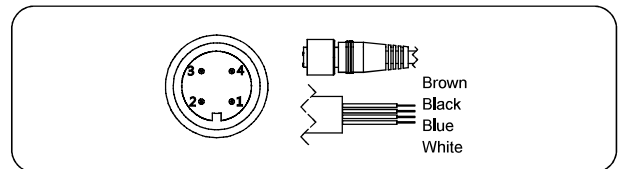


Label	Two wires	Three wires	Four wires	Modbus-RTU/RS485
1	Power+	Power+	Power+	Power+
2			Signal -	B-
3	Key-z	Signal +	Signal +	A+
4	Power -	Power -	Power -	Power-

Note: Key-z is modified zero pressure

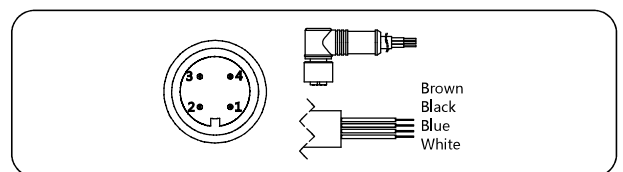
Electrical connection accessory

Aviation plug straighter(J1)



label	Two wires	Three wires	Four wires	Modbus-TRU/RS485
1/Brown	Power+	Power+	Power+	Power+
2/White			Power-	B-
3/Blue	Key-z	Signal+	Signal+	A+
4/Black	Power-	Power-	Power-	Power-

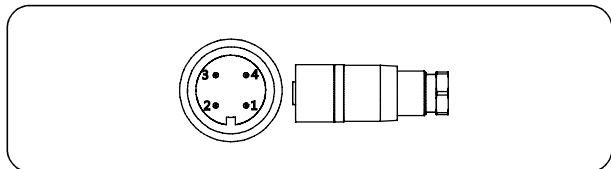
Aviation plug elbow (J2)



label	Two wires	Three wires	Four wires	Modbus-TRU/RS485
1/Brown	Power+	Power+	Power+	Power+
2/White			Signal-	B-
3/Blue	Key-z	Signal+	Signal+	A+
4/Black	Power-	Power-	Power-	Power-

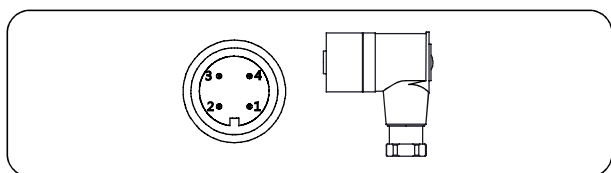
Product selection instruction

Aviation plug straighter(J4)



Label	Two wires	Three wires	Four wires	Modbus-RTU/RS485
1	Power+	Power+	Power+	Power+
2			Signal-	B-
3	Key-z	Signal+	Signal+	A+
4	Power -	Power -	Power -	Power-

Aviation plug elbow(J5)



Label	Two wires	Three wires	Four wires	Modbus-RTU/RS485
1	Power+	Power+	Power+	Power+
2			Signal-	B-
3	Key-z	Signal+	Signal+	A+
4	Power -	Power -	Power -	Power-

Output signal select instruction

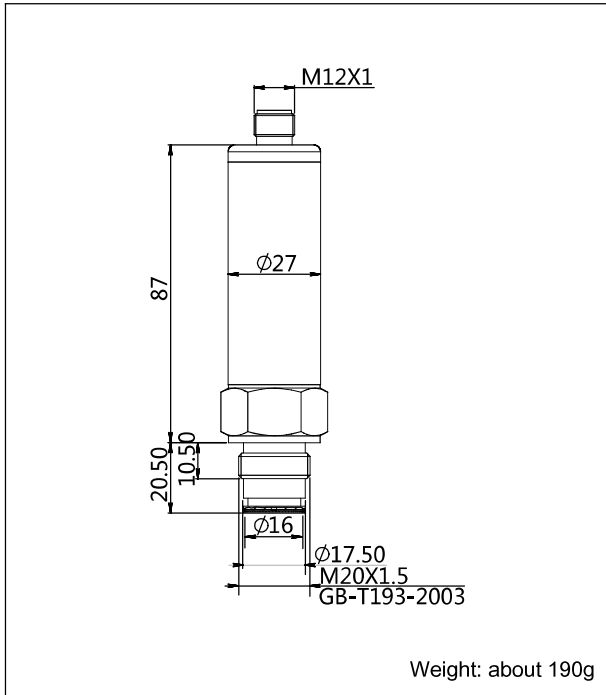
Code	Description
F	4-20mA two wire, power supply: 12-30VDC
H	4-20mA+HART two wire, power supply: 16.5-55VDC
R	Modbus-RTU/RS485 5V/9-30VDC
5	0.5-4.5VDC three wire, power supply: 6-15VDC
6	0.5-4.5VDC three wire, proportional output power supply: 5VDC
A	4-20mA two wire, intrinsic safety, power supply: 12-30VDC

Process connection select instruction

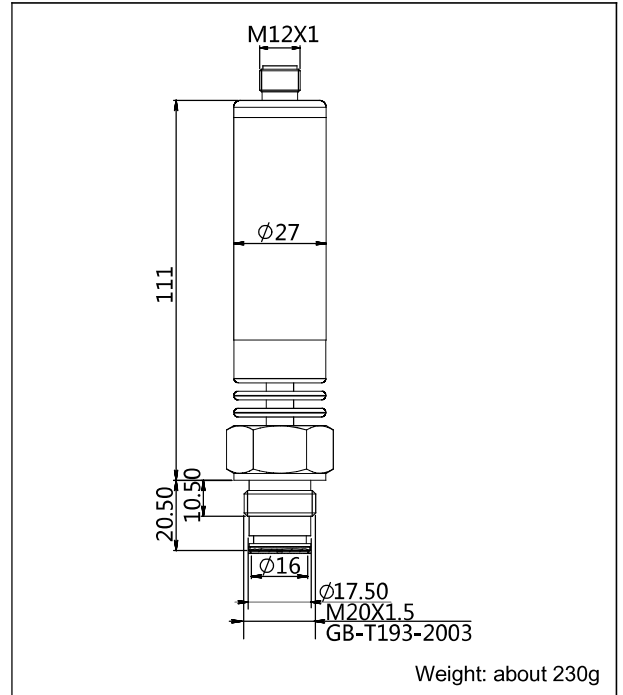
Code	Items	Description
6	Process connection material	Stainless steel, SUS316
NT	Connection type	Standard connection, medium temperature: -25-85°C
HT		Cooling element connector, medium temperature: -40-150°C
F	Isolated filling fluid	Cooling element connector, medium temperature: -10-180°C
S		Silicon oil filling, process temperature: -45-205°C
S	Isolated diaphragm material	Stainless steel, SUS316L
H		Hastelloy C
M01	Process connection specifications	M20*1.5(M), GB/T193-2003, ISO261
G01		G1/2(M), GB/T7307, ISO228, BS2779
G07		G1-1/2(M), GB/T7307, ISO228, BS2779
G12		G1(M), metal seal GB/T7307, ISO228, BS2779

Product drawing and dimension

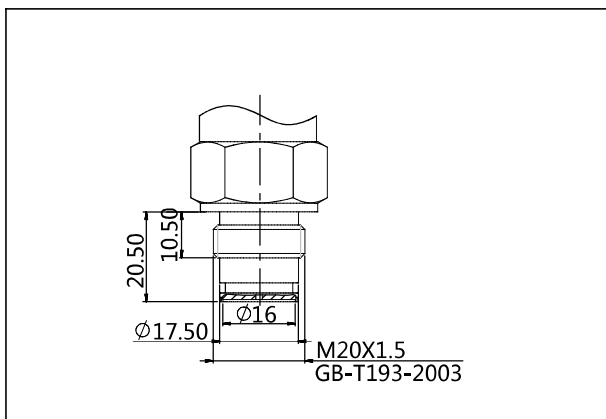
Standard drawing and dimension with Aviation plugs (H1) (unit:mm)



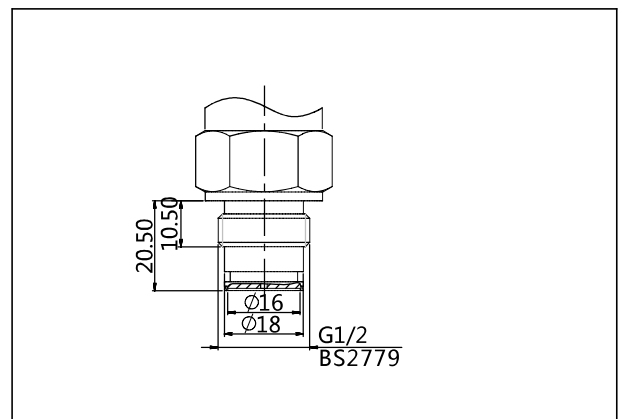
High-temperature drawing and dimension with Aviation plugs (H1) (unit:mm)



Process connection (M01)(unit: mm)

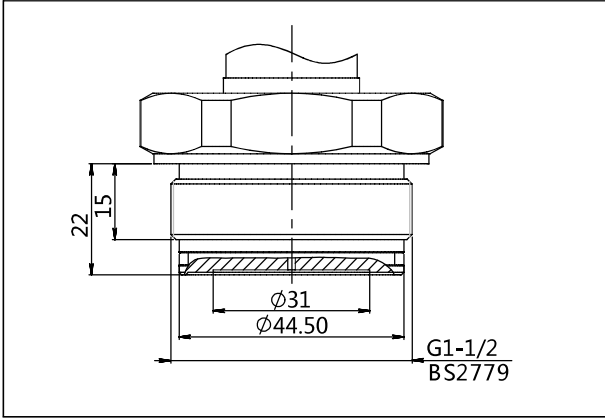


Process connection (G01)(unit: mm)

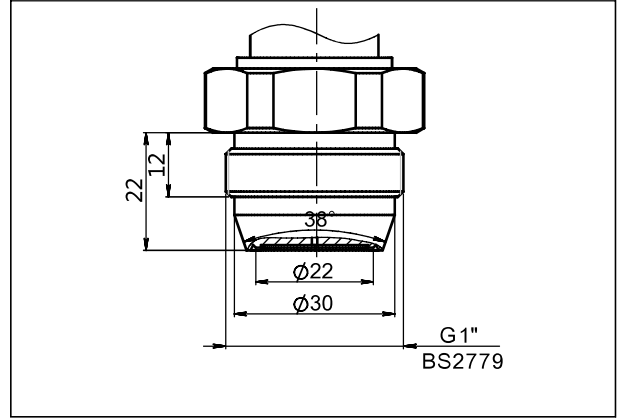


Product drawing and dimension

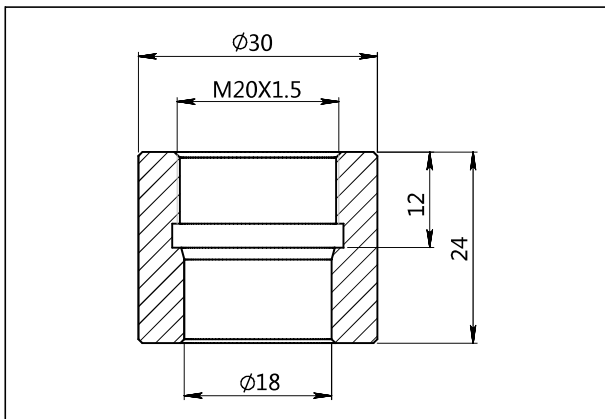
Process connection (G07)(unit: mm)



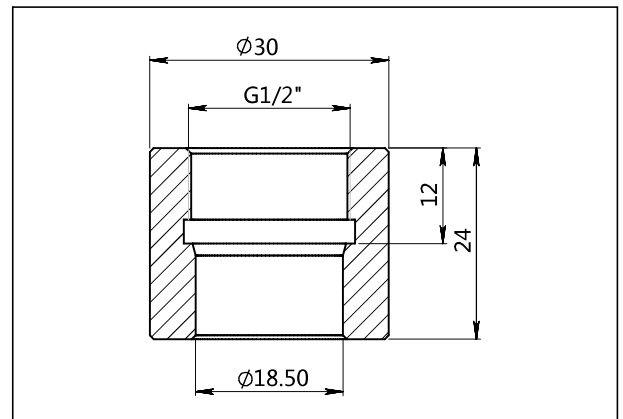
Process connection (G12)(unit: mm)



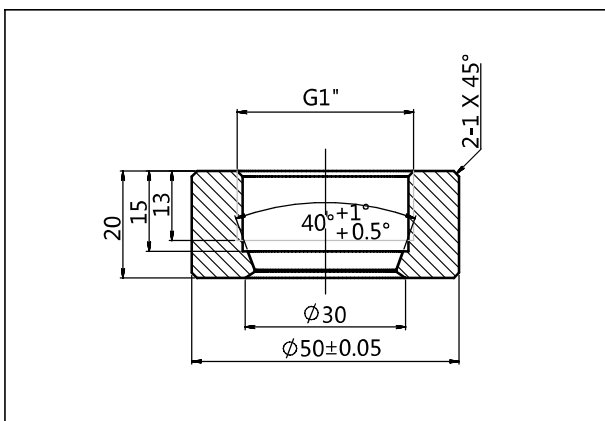
Welding adaptor(Z3)(unit:mm)



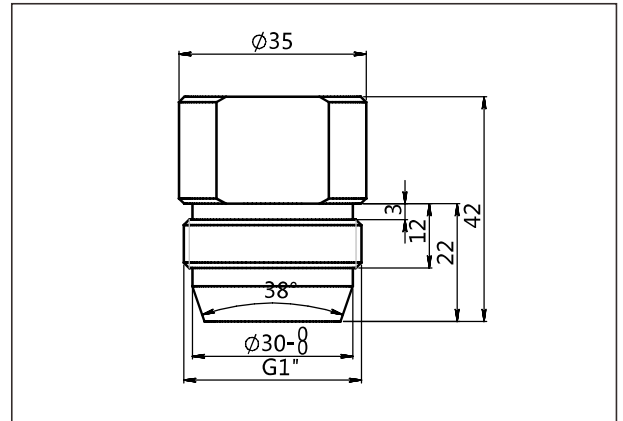
Welding adaptor(Z4)(unit:mm)



Welding adaptor(Z5)(unit:mm)



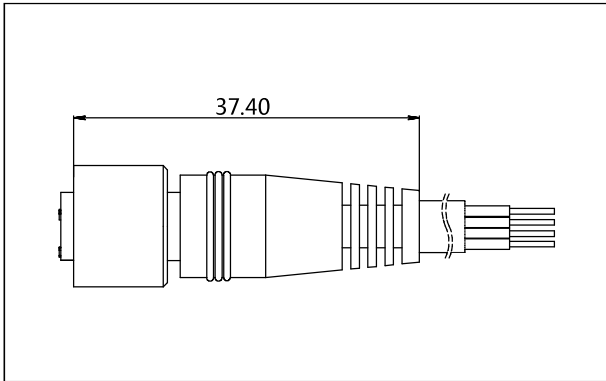
Welding accessory(H1)(unit:mm)



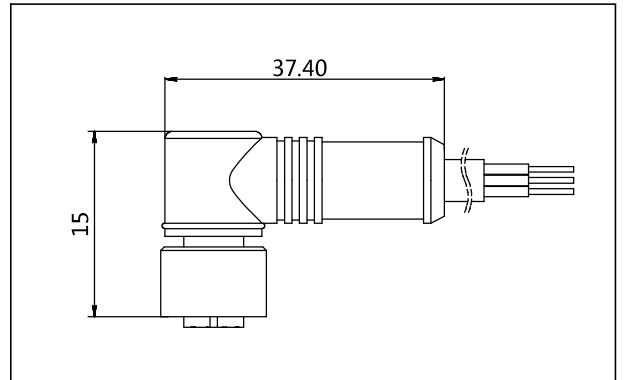
Disclaimer: all the data used in the product description is not legally binding. Relevant technical details may be changed due to further improve

Product drawing and dimension

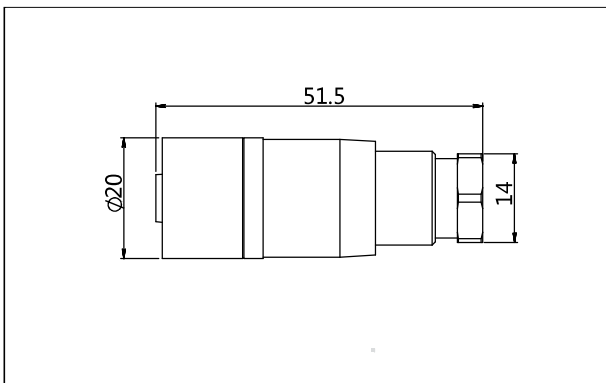
Aviation female plug straighter(J1) (unit: mm)



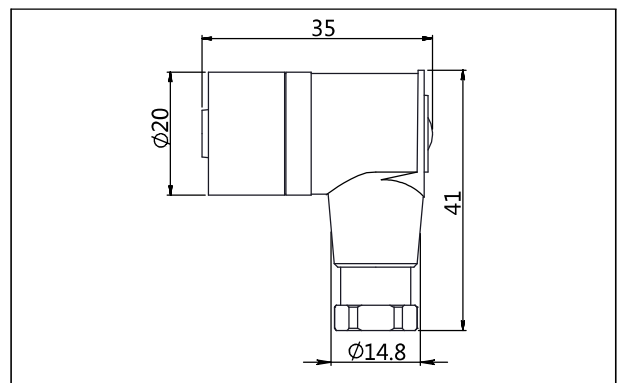
Aviation female plug elbow(J2) (unit: mm)



Aviation female plug straighter(J4) (unit: mm)



Aviation female plug elbow(J2) (unit: mm)



Ordering information chapter

Item	Parameters	Code	Instruction	(*) fast delivery available
	Model	SMP858-TSH	Monosilicon gauge pressure transmitter	
Sensor	Separator	-	Detailed specifications as following	
	Pressure range code	S403G	Nominal value(URL): 40kPa	*
		S254G	Nominal value(URL): 250kPa	*
		S105G	Nominal value(URL): 1MPa	*
		S305G	Nominal value(URL): 3MPa	*
		S106G	Nominal value(URL): 10MPa	
		S406G	Nominal value(URL): 40MPa	
	Sensor seal	F	Stainless steel welding seal	*
Electrical connection	Separator	-	Detailed specifications as following	
	Electrical connection	H1	M12*1, 4pin, Aviation plugs, IP67	*
	Cable entry protector	R0	None	*
Output	Separator	-	Detailed specifications as following	
	Output signal	F	4-20mA two wire, power supply: 12-30VDC	
		H	4-20mA two wire, power supply: 16.5-55VDC	
		R	Modbus-RTU/RS485 5V/9-30VDC	
		5	0.5-4.5VDC three wire, power supply: 6-15VDC	
		6	0.5-4.5VDC three wire, proportional output, power supply: 5VDC	
	A	4-20mA two wire, intrinsic safety, power supply: 12-30VDC		
Tube type	Separator	-	Detailed specifications as following	
	Tube body	65	Stainless steel tube length: 65mm	
		85	Stainless steel tube length: 85mm	
Process connection	Separator	-	Detailed specifications as following	
	Process connection material	6	Stainless steel SUS316	
	Connection type	NT	Standard connection, suitable for medium temperature - 25-85°C	*
		HT	Cooling element connector, suitable for medium temperature: -40-150°C	
	Isolated filling fluid	F	Hygienic filling fluid, Neobee M-20, process temperature: -10-180°C	*
		S	Silicon oil, process temperature: -45-205°C	*
	Isolated diaphragm material	S	Stainless steel, SUS316L	*
		H	Hastelloy C	

Ordering information chapter

	Process connection specifications	M01	M20*1.5(M), GB/T193-2003, ISO261, measuring range: 250kPa-40MPa	
		G01	G1/2(M), GB/T7307,ISO228, BS2779, measuring range:250kPa-40MPa	
		G07	G1-1/2(M), GB/T7307,ISO228, BS2779, measuring range: 20kPa-5MPa	
		G12	G1(M), metal seal GB/T7307, ISO228,BS2779, measuring range: 20kPa-10MPa	*
Additional options	Separator	-	Detailed specifications as following	
	Welding adaptor	/Z3	Welding adaptor, M20*1.5 (F), SUS316	
		/Z4	Welding adaptor, G1/2 (F), SUS316	
		/Z5	Welding adaptor, G1 (F), SUS316	*
	Welding accessory	/H1	Adapter plug for welding adaptor, G1 (M), material: copper	*
	Electrical connection accessory	/J1	Aviation female plug (straighter) with 2m cable, 4 pin, M12*1, IP67	
		/J2	Aviation female plug (elbow) with 2m cable, 4 pin, M12*1, IP67	
		/J4	Aviation female plug (straighter) without cable, 4 pin, M12*1, IP67	*
		/J5	Aviation female plug (elbow) without cable, 4 pin, M12*1, IP67	
	Calibration report	/Q1	Calibration report provided by our company	*
	Approvals (multiple)	/I2	Intrinsic safety certificate, ExialICT4, NEPSI (Please consult engineers for details)	*
		/F3	CE certificate (Please consult engineers for details)	*
	Wetted parts requirements	/G1	Degrease treatment	
/G2		Electropolishing		

Approvals

Factory certificate

Certification organization	Intertek
Quality management system	ISO9001-2015
Scope of certification	Design and production of pressure transmitter
Registration number	110804039

CE

Certificate organization	ISET
License scope	SMP858 series pressure transmitter
Mark	CE
EMC instruction	2014/30/EU
Standard	EN61326-1: 2013
Registration number	IT051353LG161207

Intrinsic safety certificate

Certification organization name	NEPSI
License scope	SMP858 series pressure transmitter
Explosion-proof mark	ExialICT4
Ambient temperature	-40-+60°C
Medium maximum temperature	+120°C
Registration number	GYB16.1965X
Intrinsically safe parameter description	Maximum input voltage: 28VDC
	Maximum input current: 100mA
	Maximum input power: 0.7w
	Maximum internal equivalent parameters Ci(uF): 0
	Maximum internal equivalent parameters Li(mH): 0.01



scan & follow LEEG wechat



check website for more info