
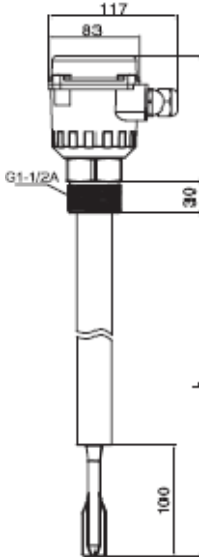
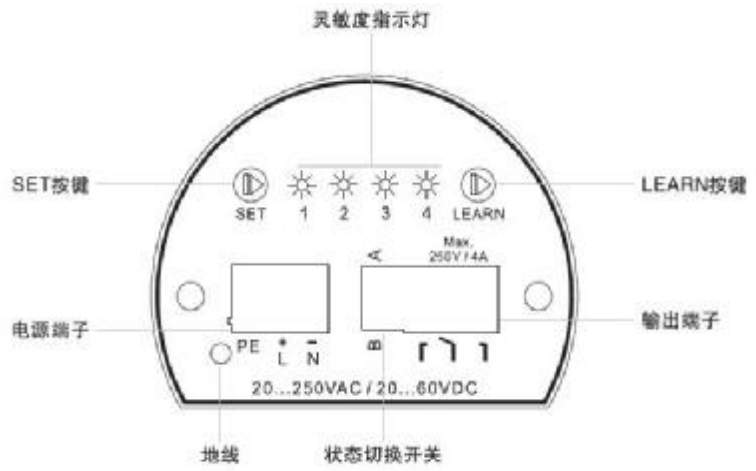
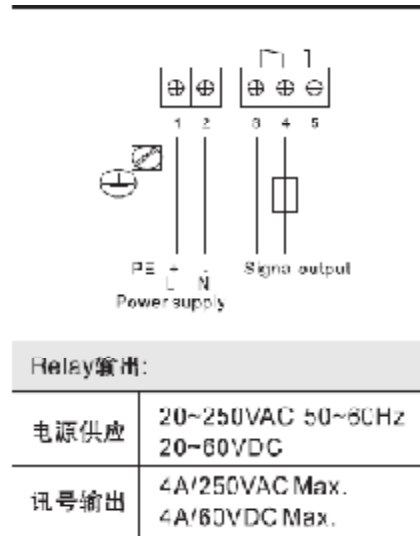


<p>VRT11AA Smart Vibrating Fork Level Switch Relay output G1-1/2A thread Flange or insert can be installed M20*P1.5 connector response time: <3s</p>	
Display	4×Red LED
Supply voltage[V]	20...60VDC 20...250VAC 50/60Hz
response time[S]	<3
Max. power consumption[W]	DC 3W Max
	AC 15W Max
Output	RELAY
Relay output load	AC250V/4A,DC60V/4A
Applications	powder/solid/liquid
Ambient temperature[°C]	-40...+70
Operating pressure[bar]	-1...40
Connection	G1-1/2"A
Probe length[mm]	L=200/400/600/800/1000/1200
Electrical interface	M20*1.5
Housing material	Aluminium alloy
Probe material	Stainless steel 316L
Protection	IP65
EMC	ESD 6KV
	EFT 2KV
Dimensions[mm]	

Panel



Wiring



ema electronics

website: www.ema-electronic.com

e-mail: enquiry@ema-electronic.com