

# Magnetic Displacement

## MR-D Series

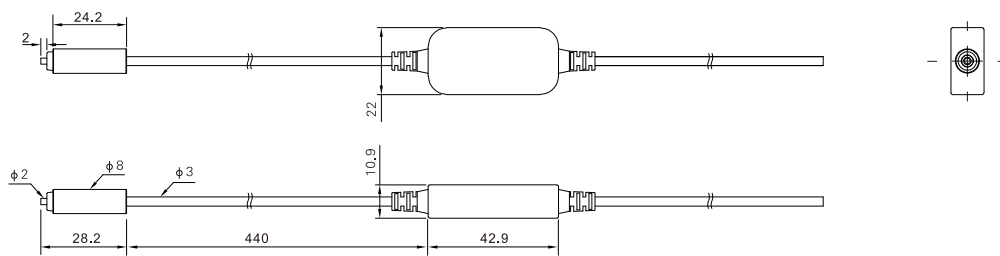


Appearance		
Detection principle	Differential transformer	
Measuring range	1mm	
Resolution	0.2 μm	
Repeat accuracy	5 μm	
Measuring force	Downward mounting	1.0N
	Horizontal mounting	0.9N
	Upward mounting	0.8N
Sampling period	100ms	
Mechanical response	40Hz	
Operating voltage	12~24V	
Indicator light	Monochrome LED	
Degree of protection	IP67	
Ambient temperature	(-10°C~+55°C)	
Ambient humidity	10~85% RH, No freezing	
Vibration resistance	10~55HZ Double amplitude 1.5mm, XYZ three directions, 2 hour each	
Shock resistance	1000m/s <sup>2</sup>	
Material	SUS304. Cable between sensor and repeater: PVC, Relay amplifier: PPSU	
Communication protocol	Modbus ASCII	
Weight	≈30g	
Model No.	<b>MR-D28-485</b>	

- ※ Values display when ambient temperature is 20°C
- ※ Customization is available at customer's requests

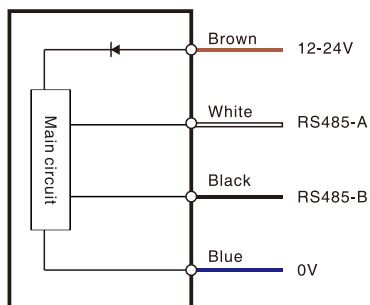
### Dimensions

Unit: mm



### Circuit diagram

■ 485



Appearance



Detection principle	Scale pulse system (absolute value type)		
Measuring range	15mm	35mm	55mm
Resolution	0.1 μm	0.5 μm	1.0 μm
Repeat accuracy	± 2 μm	± 2 μm	± 3 μm
Operating Voltage	12V (No analog output) 15V (Analog output)		
Indicator light	2-color LED (red, green)		
Degree of protection	IP50		
Ambient humidity	(-10°C~+50°C)		
Power consumption	0.75W		
Logic output	NPN 100mA Max; 40V Max		
Analog output	4~20mA (Loaded by 50 Ω)/0~10V		
Material	Aluminum		
Communication Interface	Rs485 and SSI or RS232		

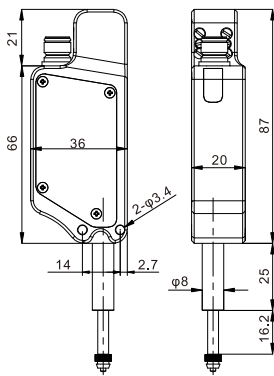
Weight	≈ 110g	≈ 150g	≈ 180g
Model No.	<b>MR-DT-L15-</b> 485: RS485&SSI Output 232: RS232 Output	<b>MR-DT-L35-</b> 485: RS485&SSI Output 232: RS232 Output	<b>MR-DT-L55-</b> 485: RS485&SSI Output 232: RS232 Output
	<b>MR-DT-H15-</b> A: Current output V: Voltage output 485: RS485&SSI Output 232: RS232 Output	<b>MR-DT-H35-</b> A: Current output V: Voltage output 485: RS485&SSI Output 232: RS232 Output	<b>MR-DT-H55-</b> A: Current output V: Voltage output 485: RS485&SSI Output 232: RS232 Output

- Fiber Optic
- Slot Sensors
- Photoelectric
- Laser
- Proximity
- Displacement**
- Magnetic
- Contact
- Area
- Ultrasonic
- Vibration
- Temperature
- Cables
- Tester

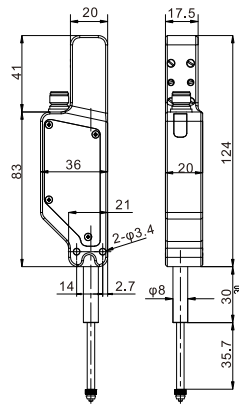
### Dimensions

Unit: mm

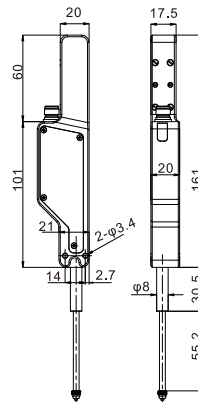
MR-DT-L/H15



MR-DT-L/H35

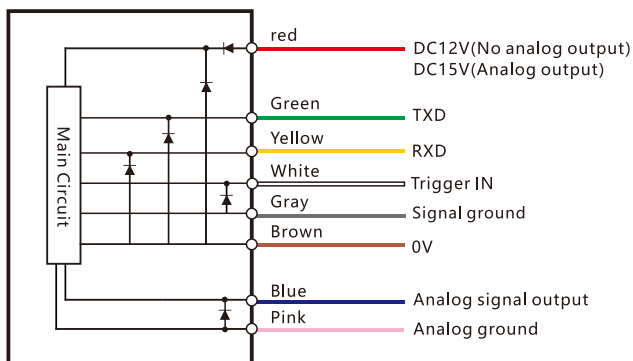


MR-DT-L/H55

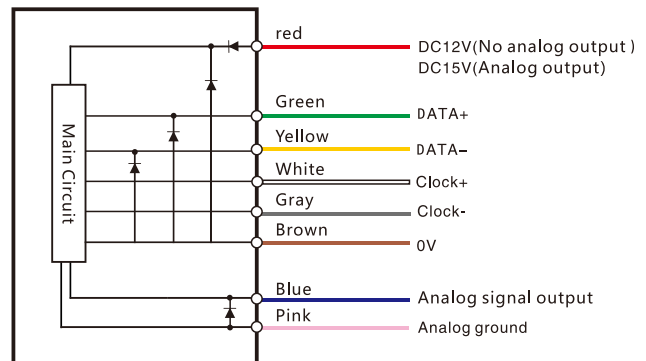


### Circuit diagram

RS232



RS485-SSI



**Guidance**

**Displacement**

- TOF measurement
- Mini digital display
- Built-in controller
- Linear measurement
- Magnetic displacement**
- LIDAR Scanner
- Color confocal