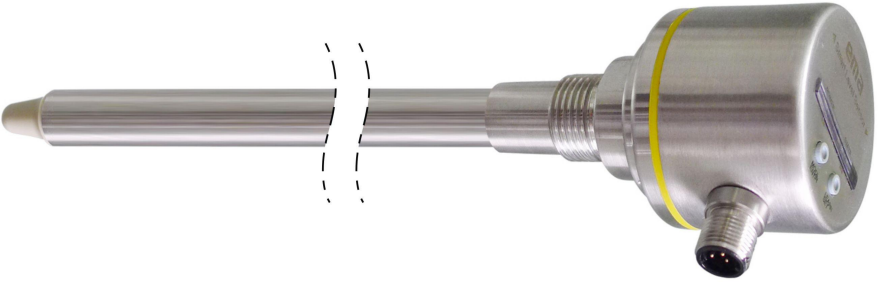
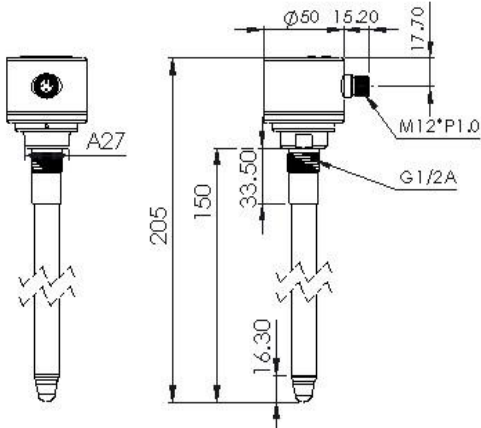
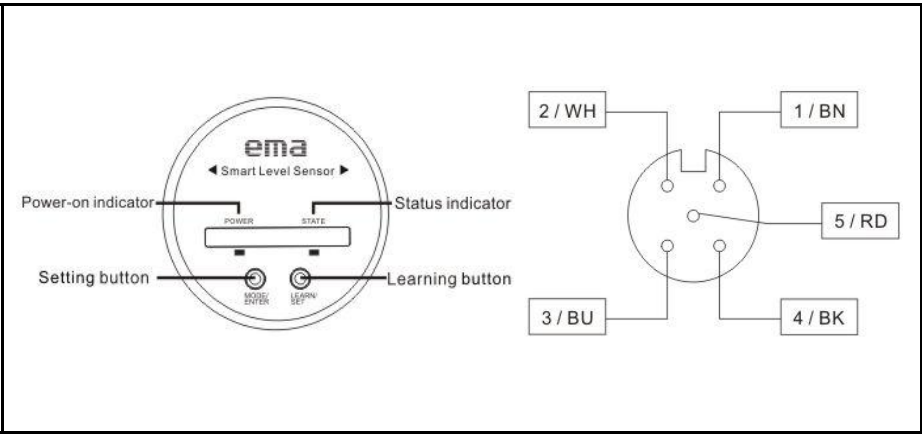
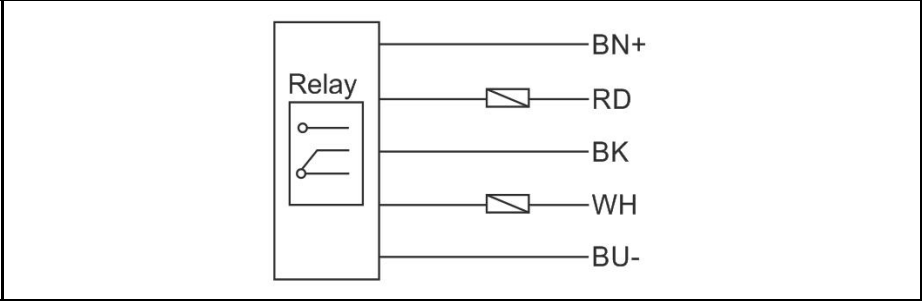


<p>LE0004 EX proof High-Frequency Level Switch RELAY output Extension type L=150mm G1/2"A thread M12*1.0 socket</p> <p>Auto-learning function For powder,liquid,sticky liquid</p>	
<p>Ex-proof marking</p>	<p>Ex nA IIC T5 Gc / Ex tD A21 IP67 T100°C</p>
<p>Application</p>	<p>Powder,liquid, suitable for sticky liquid</p>
<p>Display</p>	<p>Power indicator: green LED , Status indicator: red LED</p>
<p>Operating voltage[V]</p>	<p>18...36DC</p>
<p>Switch response time[s]</p>	<p><1</p>
<p>Maximum power consumption[W]</p>	<p>< 2W</p>
<p>Output</p>	<p>RELAY</p>
<p>Switch output maximum load[mA]</p>	<p>36V(DC)/1A</p>
<p>NO/NC setting</p>	<p>Yes</p>
<p>Learning switching point function</p>	<p>Yes</p>
<p>Medium temperature[°C/°F]</p>	<p>-40...+120/-40...+248</p>
<p>environment temperature[°C/°F]</p>	<p>-40...+85/-40...+185</p>
<p>Operating pressure[bar]</p>	<p>Max. 40 bar</p>
<p>Thread connection</p>	<p>G1/2"A</p>
<p>Probe length[mm]</p>	<p>150</p>
<p>Connection</p>	<p>M12 socket</p>
<p>Housing material</p>	<p>Stainless steel 316L</p>
<p>Probe material</p>	<p>PEEK</p>
<p>Probe material/Wetted Parts</p>	<p>IP67/IP69K*</p>
<p>EMC</p>	<p>ESD 6KV III</p>
	<p>EFT 2KV III</p>
	<p>Surge immunity test 500V I</p>
<p>Walkie talking experiment[mm]</p>	<p>< 5</p>
<p>Dimension[mm]</p>	

Panel and M12 Connection



Drawing



Note*

Use sanitary adapter to upgrade to IP69K (Optional accessory)



ema electronics

website: www.ema-electronic.com

e-mail: sales@ema-electronic.com