

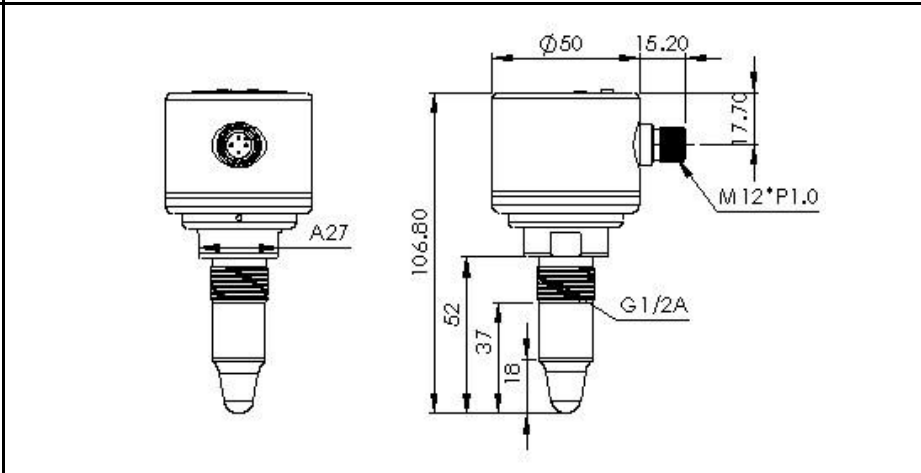
LE0002
 EX proof High-Frequency Level Switch
 RELAY Output
 Smart type
 G1/2"A thread
 M12*1.0 socket

Auto-learning function
 For powder,liquid,sticky liquid

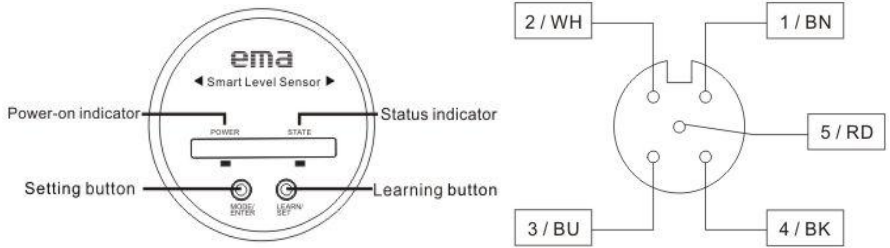


Ex-proof marking	Ex nA IIC T5 Gc / Ex tD A21 IP67 T100°C
Application	Powder,liquid, suitable for sticky liquid
Display	Power indicator: green LED , Status indicator: red LED
Operating voltage[V]	18...36DC
Switch response time[s]	<1
Maximum power consumption[W]	< 2W
Output	RELAY
Switch output maximum load[mA]	36V(DC)/1A
NO/NC setting	Yes
Learning switching point function	Yes
Medium temperature[°C/°F]	-40...+120/-40...+248
environment temperature[°C/°F]	-40...+85/-40...+185
Operating pressure[bar]	Max. 40 bar
Thread connection	G1/2"A
Probe length[mm]	52
Connection	M12 socket
Housing material	Stainless steel 316L
Probe material	PEEK
Probe material/Wetted Parts	IP67/IP69K*
EMC	ESD 6KV III
	EFT 2KV III
	Surge immunity test 500V I
Walkie talking experiment[mm]	< 5

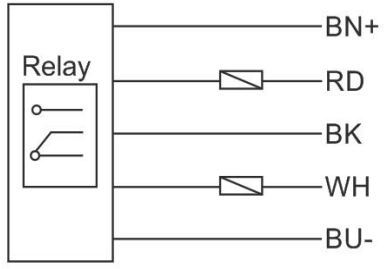
Dimension[mm]



Panel and M12 Connection



Drawing



Note*

Use sanitary adapter to upgrade to IP69K (Optional accessory)



ema electronics

website: www.ema-electronic.com
e-mail: sales@ema-electronic.com