

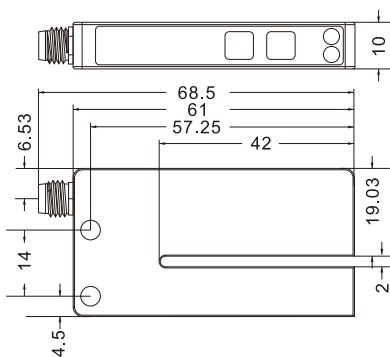


Appearance

Sensing distance	2mm
Slot depth	42mm
Slot width	3mm
Light source	Infrared light (940nm)
Switch mode	Selectable L.on/D.on
Operating voltage	12~24V DC \pm 10%
No-load current	40mA
Load current	100mA
Response frequency	10KHz
Response time	\leq 20 μ s
Protection circuit	Reverse polarity protection, Output short circuit protection; Interference suppression
Protection degree	IP65
Material	Aluminum
Connection method	M8 4-pin connector
Weight	35g
Output method	NPN/PNP
Ambient brightness	Sunlight \leq 10000Lux
Model No.	KIM07-0204NP

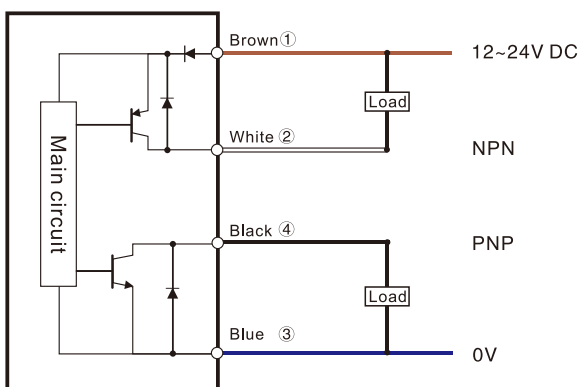
Dimensions

Unit: mm



Circuit diagram

NPN/PNP



Fiber Optic

Slot Sensors

Photoelectric

Laser

Proximity

Displacement

Magnetic

Contact

Area

Ultrasonic

Vision

Vibration

Temperature

Annexes

Guidance

Slot type sensors

Micro slot type

Slot type

Wide slot type

Label detection

Label Detection

KUM Series

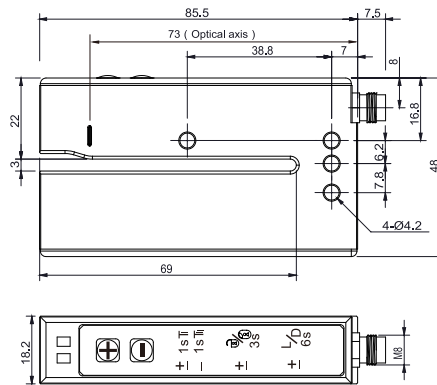
Slot Type



Appearance

Sensing distance	3mm
Min length of label	2mm
Min gap of label	2mm
Slot depth	69mm
Slot width	3mm
Emitter	Ultrasonic
Max detection speed	180m/min
Repeat accuracy	± 0.20mm(120m/min)
Switch mode	Selectable L.on/D.on
Operating voltage	12~24V DC ± 10%
No-load current	45mA
Load current	100mA
Residual voltage	< 2V@1L=100mA
Response frequency	1500Hz
Response time	300 μs
Protection circuit	Output short circuit protection; Interference suppression
Operating temperature	-5~+55°C
Storage temperature	-20~+70°C
Degree of protection	IP65
Shell material	Aluminum
Connection method	M8 4-pin connector
Weight	130g
Mode	NPN KUM08-0307N
	PNP KUM08-0307P

Dimensions



Unit: mm

Circuit diagram

