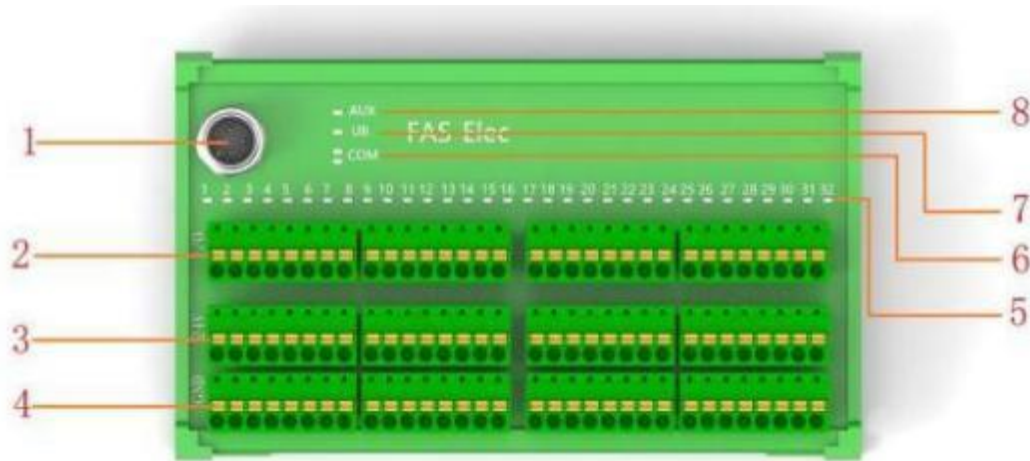


FNI IOL-106-006-K024 manual

1. Connection diagram

As shown in Figure 1.



Picture 1

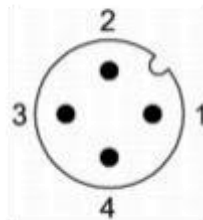
- | | |
|-------------------------------|------------------------------------|
| 1 IO-Link interface | 5 Status LED: Digital I/O point 32 |
| 2 Digital I/O Terminal Blocks | 6 Status LEDs: IO-Link |
| 3 24V terminal block | 7 Status LED: Power |
| 4 GND terminal | 8 Status LEDs: Actuator |

2. IO-Link interface diagram

As shown in Figure

M12, class A, male

M12, A类, 公头



Pin	Illustrate
1	Power supply, +24V
2	Actuator power supply, +24V
3	GND
4	C/Q, IO-Link data transfer channel

Picture 2

3. IO-Link data

3.1 Parameter

As shown in Table 1-1.

Surface 1-1

Data transmission baud rate	COM2 (38 4kbit/s)
Frame type	2 V
Minimum cycle time	3ms
Process data cycle time	3ms, consistent with minimum cycle time
Process data length	4 bytes output

3.2 Process data/input data

As shown in Figure 3.

	0								1							
Bit	7	6	5	4	3	2	1	0	7	6	5	4	3	2	1	0
Describe	Digital output point 8	Digital output point 7	Digital output point 6	Digital output point 5	Digital output point 4	Digital output point 3	Digital output point 2	Digital output point 1	Digital output point 16	Digital output point 15	Digital output point 14	Digital output point 13	Digital output point 12	Digital output point 11	Digital output point 10	Digital output point 9
	2								3							
Bit	7	6	5	4	3	2	1	0	7	6	5	4	3	2	1	0
Describe	Digital output point 24	Digital output point 23	Digital output point 22	Digital output point 21	Digital output point 20	Digital output point 19	Digital output point 18	Digital output point 17	Digital output point 32	Digital output point 31	Digital output point 30	Digital output point 29	Digital output point 28	Digital ioutput point 27	Digital output point 26	Digital output point 25

Picture 3

E. G:

The input start address assigned in the configuration project is 64, then the first point address is 64.0

The 32nd point address is 67.7.

3.3 Parameter data/request data

As shown in Figure 4.

	DPP	SPDU		Object name	length	Scope	Defaults
	Index	Index	Subindex				
Identification				Supplier ID	2		0x0454
				Device ID	3		0x099CE9
		0x10	0	Supplier name	19	Read only	FAS (Fujian) Co., LTD
		0x11	0	Supplier text	16		www.fas-elec.com
		0x12	0	Product name	13		FNI IOL-106-006-K024
		0x13	0	Product ID	6		00BH14
		0x14	0	Product text	44		IO-Link IP20 PNP 32DO
		0x16	0	Hardware version	8		20200615
	0x17	0	Fixed version	4	2.00		

Picture 4

3.5 Mistake

As shown in Figure 5.

Error code	Additional code
Device app error 0x80	Index unavailable 0x11
	Subindex unavailable 0x12
	Value out of range 0x30

Picture 5

3.6 Event

As shown in Figure 6.

Class/Qualifier			Code(High Bit + Low Bit)			
Pattern	Type	Instance				
Appearance	Error	AL	Hardware	Powered by	Power supply low voltage	U2=Power supply+24V
0xC0	0x30	0x03	0x5000	0x0100	0x0010	0x0002
0xF3			0x5112			
Disappear	Error	AL	Hardware	Powered by	Power supply low voltage	U2=Power supply+24V
0x80	0x30	0x03	0x5000	0x0100	0x0010	0x0002
0xB3			0x5112			
Appearance	Error	AL	Hardware	Powered by	Peripheral power supply	
0xC0	0x30	0x03	0x5000	0x0100	0x0060	
0xF3			0x5160			
Disappear	Error	AL	Hardware	Powered by	Peripheral power supply	
0x80	0x30	0x03	0x5000	0x0100	0x0060	
0xB3			0x5160			

Picture 6