
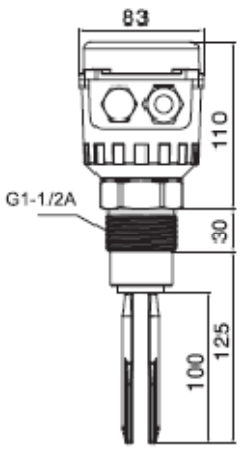
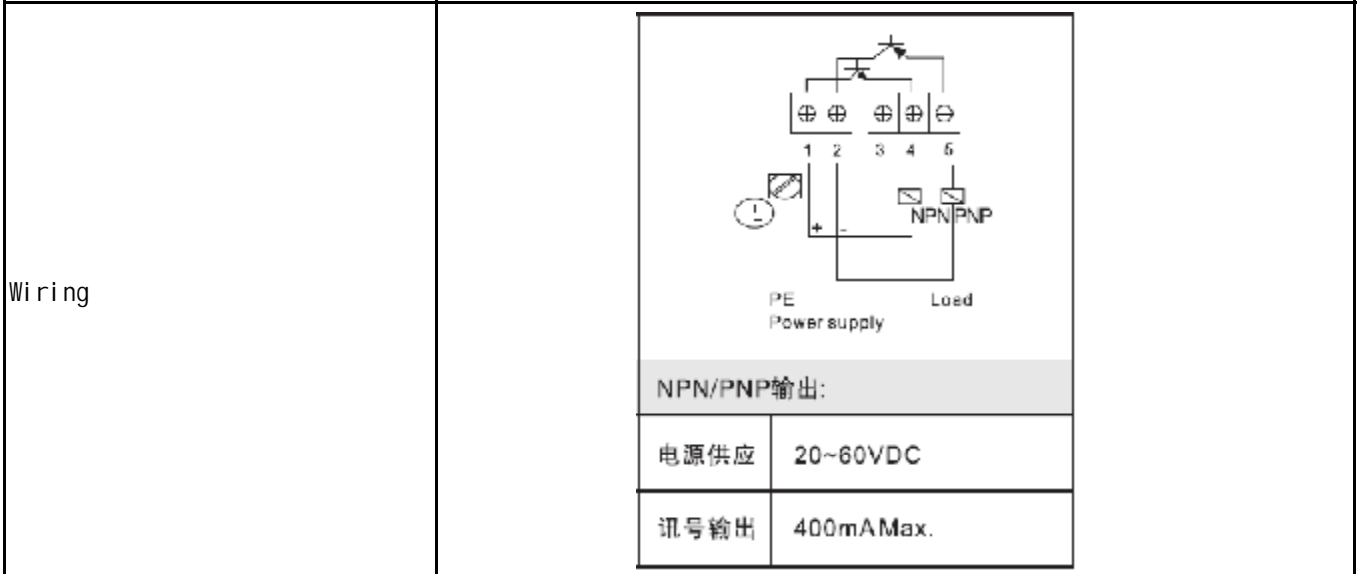
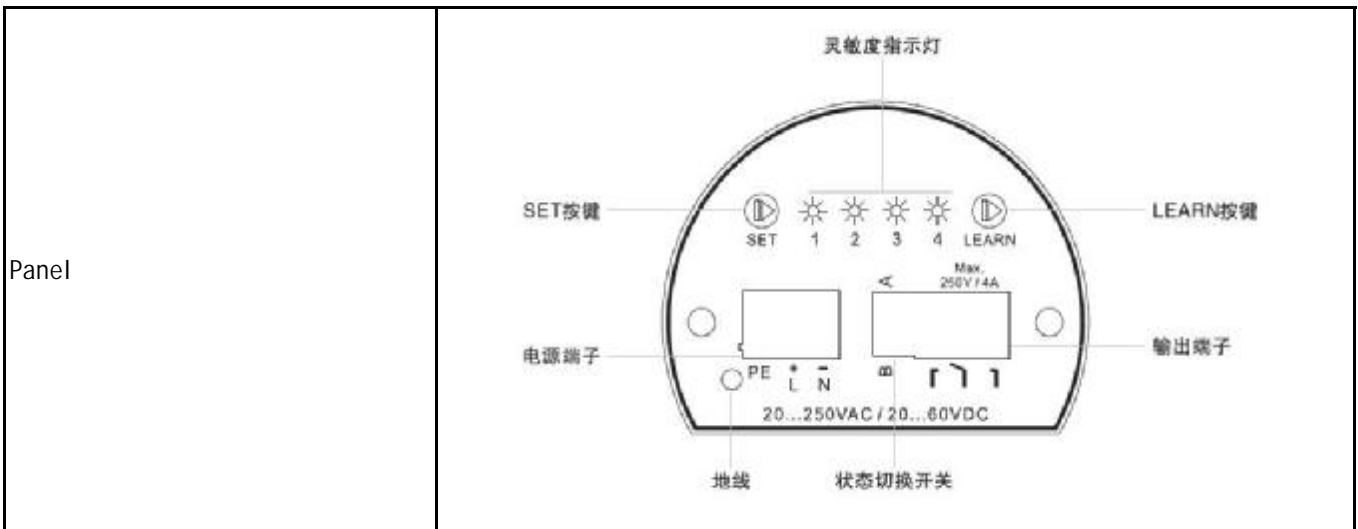




<p>VRT10AB01256</p> <p>Smart Vibrating Fork Level Switch</p> <p>NPN & PNP output</p> <p>G1-1/2A thread</p> <p>Flange or insert can be installed</p> <p>M20*P1.5 connector</p> <p>response time: <3s</p>	
Display	4×Red LED
Supply voltage[V]	20...60VDC
response time[S]	<3
Max. power consumption[W]	3
Output	NPN & PNP
NPN/PNP output load	400
Applications	powder/solid/liquid
Ambient temperature[°C]	-40...+70
Operating pressure[bar]	-1...40
Connection	G1-1/2"A
Probe length[mm]	125
Electrical interface	M20*1.5
Housing material	Aluminium alloy
Probe material	Stainless steel 316L
Protection	IP65
EMC	ESD 6KV
	EFT 2KV
Dimensions[mm]	



ema electronics

website: www.ema-electronic.com

e-mail: enquiry@ema-electronic.com