
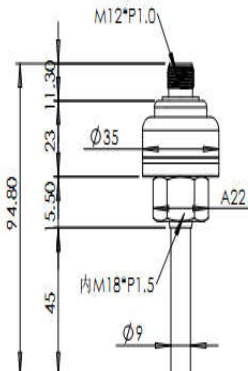


<p>TD1000 Smart Temperature Sensor with Remote Probe Control Unit assemble with another TB probe and cable M12 socket Cable:4 pole Connection: M18*1.5 Probe Length:45 mm Sensing Element:PT1000 Sensing range -40...150°C -40...302°F</p>	 <p>CE RoHS</p>
Applications	Liquid and gas
Working current[mA]	<1
Sensing range[°C]	-40...150
Connection	M12
Accuracy	0.10%
Environment temperature[°C/°F]	-40...150 / -40...302
Medium temperature[°C/°F]	-30...150 / -40...302
Storage temperature[°C/°F]	-40...150 / -40...302
Housing material	S316L
Housing material of cable	FEP
Outside diameter of cable	5mm
Display[°C/°F]	0.5/1
Insulation resistance[MΩ]	>100 (500V DC)
Protection/Enclosure Rating	IP68
Dimensions[mm]	
Shock resistance[g]	50
Vibration resistance[g]	20
Compressive strength	300
	