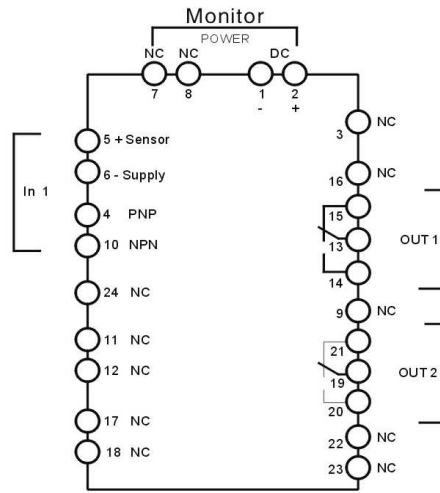


<p>SM1002</p> <p>Speed / Frequency Monitor</p> <p>DIN rail mounting</p> <p>Two relays output</p> <p>Programmable</p> <p>No external frequency test</p>		
Applications	Equipment period for frequency, rotation rate, speed ,and pulse.	
Adjusting range(Rotation rate/Frequency)	1...60000RPM / 1...2200HZ	
Rated voltage[V]	24 V DC	
Voltage tolerance[%]	10%	
Contact loading	8A (1250 VA/250 V AC)	
Power consumption[VA]	5/3W	
Pulse output	<p>PNP/NPN</p> <p>Supply voltage: 24 V DC / 15mA</p> <p>Switch point for PNP sensor: >12 V On; < 5V Off</p> <p>Switch point for NPN sensor: >15 V On; < 5V Off</p> <p>Input frequency (Max.): 5kHz Corresponding min. pulse period / interval 0.1ms</p>	
Accuracy of the frequency measurement	<1%	
Switching function	Two actuative points required by the range of monitoring low speed / high speed	
Max. relative air humidity[%]	75 (35°C)	
Operating temperature[°C]	-20...+60/4...+140	
Storage temperature[°C]	-25...80/-13...+176	
Protection Housing / Terminals	IP50 / IP20	
Housing material	PBT+GF	
Display	Switching State LED	Green (Light on under actuation of relay)
	Input signal LED	Red
	Function LED	LCD Display; 7/14 Segment
Connection	Dual-chamber terminals	
Dimensions[mm]		

Wiring



Connection notice

- 1.DC Supply voltage (L-)
- 2.DC Supply voltage (L+)
- 3.NC
- 4.Sensor signal PNP
- 5.DC Sensor supply (L+)
- 6.DC Sensor supply (L-)
- 7.NC
- 8.NC
- 9.NC
- 10.Sensor signal NPN
- 11.NC
- 12.NC

- 13.Relay 1 (center contact)
- 14.Relay 1 (operating contact)
- 15.Relay 1 (NC contact)
- 16.NC
- 17.NC
- 18.NC
- 19.Relay 2 (center contact)
- 20.Relay 2 (operating contact)
- 21.Relay 2 (NC contact)
- 22.NC
- 23.NC
- 24.NC



ema electronics

website: www.ema-electronic.com

e-mail: sales@ema-electronic.com