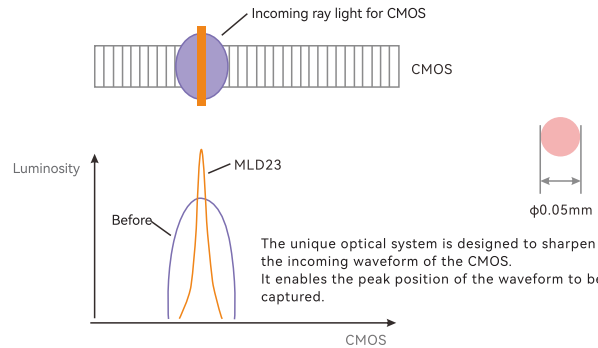


Mini Chinese Display

More Intuitive and Simple for Commissioning

Convergent harnesses for more accurate detection

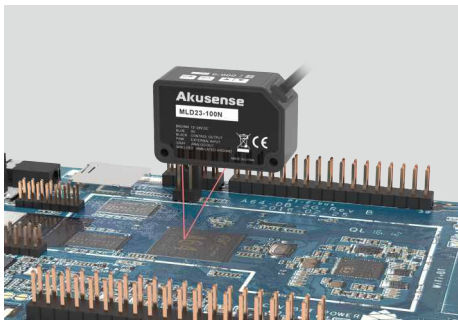
Akusense has developed its own optical system to significantly converge and improve the beam to 50um; An ultra-small spot size of 0.05mm formed, which detects objects with stability and accuracy.



- Fiber Optic
- Slot Sensors
- Photoelectric
- Laser
- Proximity
- Displacement**
- Magnetic
- Contact
- Area
- Ultrasonic
- Vision
- Code Readers
- Vibration
- Temperature
- Accessories

Guidance

- Displacement**
- Triangulation
- Linear measurement
- Magnetic displacement
- LIDAR Scanner
- Color confocal

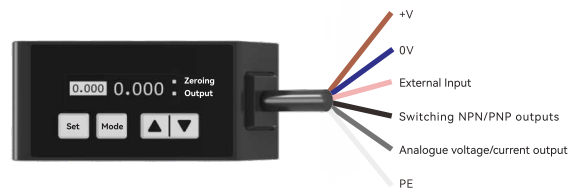


Micron-level linear accuracy

Linear accuracy reaches to 0.01mm for easy inspection with high accuracy

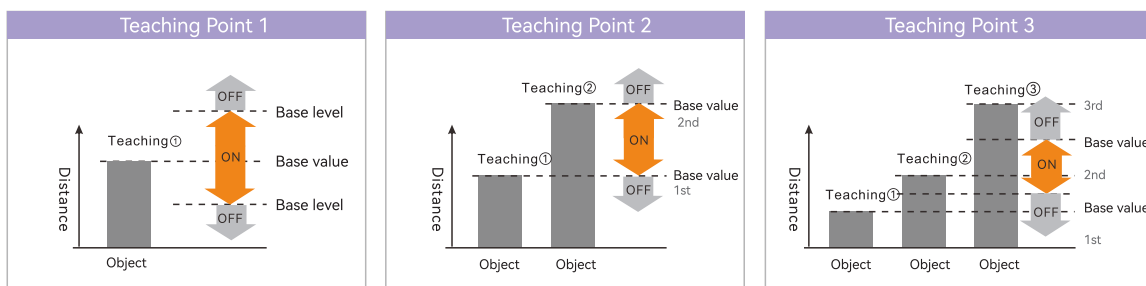
Convenient Installation

Integration of analogue voltage, analogue current and switching



Simple and flexible test patterns

Multiple teaching modes to make testing easier



Selection Guide

MLD23 Series

Faster, more stable, more accurate

Three test modes are for option: standard, high speed and high accuracy

① Ultra-high speed computing and processing

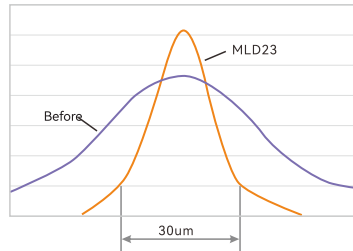
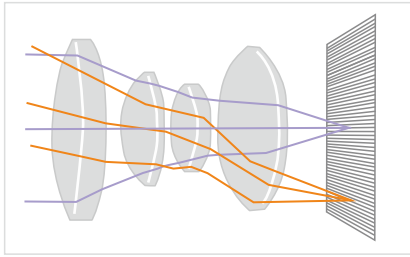
The application of Akusense's advanced IC and algorithm technology has greatly improved the sensor's detection rate and data accuracy, allowing for both high speed transmission and stable detection of measured values.



Max 1.5ms response time

Repeat accuracy up to 10um

Min ±0.1% F.S linearity

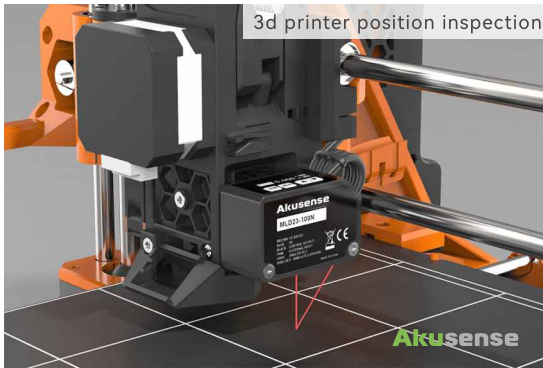


② Achieving greater precision

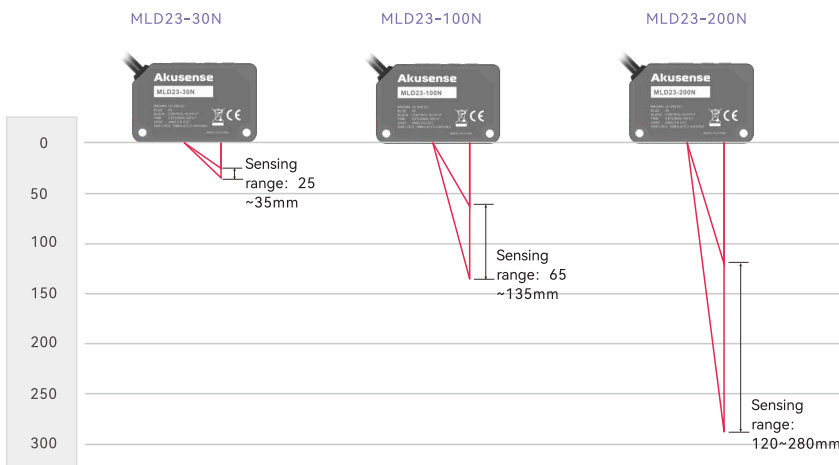
The new Akusense high-resolution lens design reduces pixel aberration and is assembled with precision.

The small spot of light at any angle can be imaged at the receiving section, resulting in a smaller waveform and higher measurement accuracy.

Application



Selection table



Model	MLD23-30N
Repeat accuracy	10μm
Linear accuracy	±0.1% F.S.
Base distance	30mm

Model	MLD23-100N
Repeat accuracy	70μm
Linear accuracy	±0.1% F.S.
Base distance	100mm

Model	MLD23-200N
Repeat accuracy	200μm
Linear accuracy	±0.2% F.S.
Base distance	200mm



Economical type

Appearance

Principle	Diffuse reflection		
Center of sensing distance	30mm	100mm	200mm
Sensing distance	25~35mm	65~135mm	120~280mm
Repeat accuracy	10 μm	70 μm	200 μm
Light source	Medium, wavelength	Red semiconductor laser, wavelength: 655nm	
	Max. output power	1mW	
	Laser class	Class2	
Standard	EMC		
Temperature drift	±0.03%/°C F.S.		
Spot size	≈ Φ0.05mm	≈ Φ0.15mm	≈ Φ0.3mm
Linearity	±0.1% F.S.		±0.2% F.S.
Supply voltage	12~24V DC ± 10%		
Current consumption	< 60 mA (24V DC), < 100mA (12V DC)		
Response time	1.5ms/5ms/50ms switchable		
Switch Output	NPN open-collector transistor, max. inflow current: 50mA; applied voltage: < 30V DC (between control output-0V), residual voltage: < 1.5V (inflow current < 50mA)		
Analog output	Voltage	Output range: 0V ~ 5V (when alarm: +5.2V), output impedance: 100 Ω	
	Current	Output range: 4mA ~ 20mA (when alarm: 0mA), load: less than 300 Ω	
External input	Input conditions Invalid: +8V ~ +V DC or open, valid: 0V ~ +1.2V DC; input impedance: about 10k Ω		
Ambient performance	Protection Degree	IP66	
	Ambient Temperature	-10°C~+45°C, No freezing	
	Ambient humidity	35%~85%RH, No condensation	
	Ambient light	Incandescent lamp: Illumination below 3000Lux on the light-receiving surface	
Cable	5-core 2M cable		
Material	Aluminum, acrylic		
Model	MLD23-30N	MLD23-100N	MLD23-200N

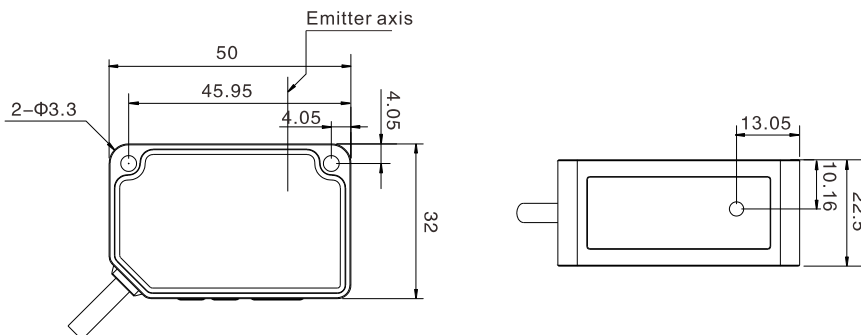
- Fiber Optic
- Slot Sensors
- Photoelectric
- Laser
- Proximity
- Displacement**
- Magnetic
- Contact
- Area
- Ultrasonic
- Vision
- Code Readers
- Vibration
- Temperature
- Accessories

Guidance

- Displacement**
- Triangulation
- Linear measurement
- Magnetic displacement
- LIDAR Scanner
- Color confocal

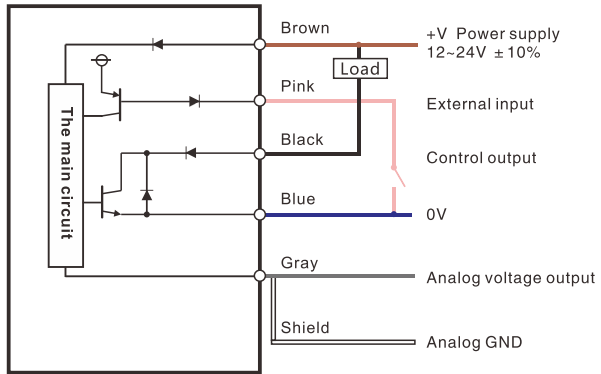
Dimensions

Unit: mm



Mini Digital Display

Circuit Diagram



Displacement

- Fiber Optic
- Slot Sensors
- Photoelectric
- Laser
- Proximity
- Displacement**
- Magnetic
- Contact
- Area
- Ultrasonic
- Vision
- Code Readers
- Vibration
- Temperature
- Accessories

Guidance

- Displacement**
- Triangulation
- Linear measurement
- Magnetic displacement
- LiDAR Scanner
- Color confocal