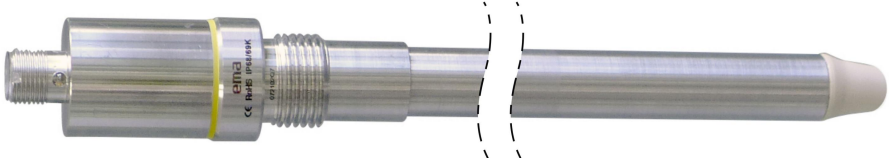


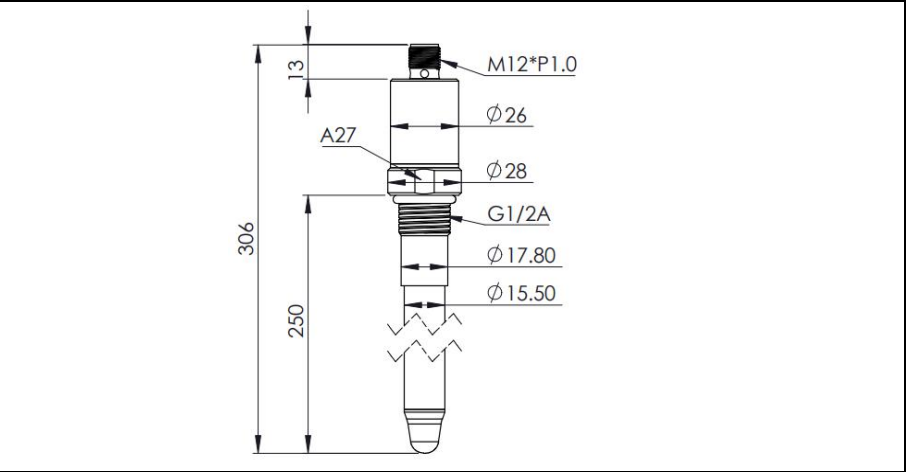
LB0003
 Small High-Frequency Level Switch
 PNP/NPN Output
 Smart type
 L=250mm
 G1/2"A thread
 M12*1.0 socket

 Auto-learning function
 For powder,liquid,sticky liquid



Application	Powder,liquid,suitable for sticky liquid
Display	Tri-color LED: red, green, orange
Operating voltage[V]	18...36DC
Switch response time[s]	<1
Maximum power consumption[W]	< 1W
Output	PNP/NPN NO/NC
Switch output maximum load[mA]	200
NO/NC setting	Yes
Learning switching point function	Yes
Medium temperature[°C/°F]	-40...+115/-40...+239
environment temperature[°C/°F]	-40...+85/-40...+185
Operating pressure[bar]	Max. 40 bar
Thread connection	G1/2"A
Probe length[mm]	250
Connection	M12 socket
Housing material	Stainless steel 316L
Probe material	PEEK
Probe material/Wetted Parts	IP68/IP69K*
EMC	ESD 6KV III
	EFT 2KV III
	Surge immunity test 1000V I
Walkie talking experiment[mm]	< 5

Dimension[mm]



<p>Panel and M12 Connection</p>	
<p>Drawing</p>	
<p>Accessories</p>	<p>Sensing stick</p>
<p>Note*</p>	<p>Use sanitary adapter to upgrade to IP69K (Optional accessory)</p>



ema electronics

website: www.ema-electronic.com

e-mail: sales@ema-electronic.com