
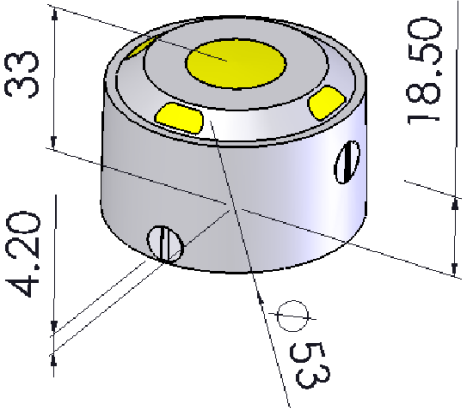


<p>US0024 valve proximity switches target disc</p> <p>Diameter 53mm</p>	 <p>CE RoHS</p>
<p>Quantity of sensing surface(pcs)</p>	<p>3</p>
<p>Angle of sensing surface (Angle)</p>	<p>90</p>
<p>Dimension of sensing surface (mm)</p>	<p>Φ8round</p>
<p>Adjustment factor</p>	<p>Low carbon steel=1/stainless steel approx0.7/Brass approx0.4/Alumium approx0.3/</p>
<p>Enviornmental temperature[°C]</p>	<p>-25°C...80°C</p>
<p>Protection classification</p>	<p>IP67</p>
<p>Dimension picture</p>	
<p>Housing material</p>	<p>PA66;PVC (Yellow marking point)</p>
<p>Installation</p>	<p>Fixed with Φ6 screw</p>