
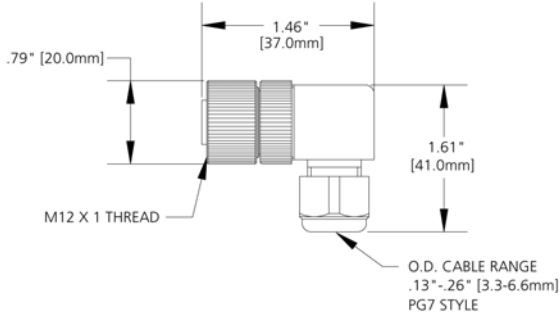
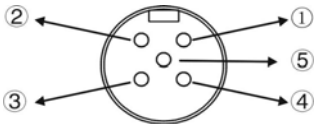


<p>US0014 Field-Attachable Connector</p> <p>L shape 90° 4-core Quick-disconnect design Easy installation Single keyway M12</p>	 <p>CE RoHS</p>
Application	For use with M12 connector of the sensor
Electric design	AC / DC
Operating voltage [V]	250AC / 300DC
Current loading [A]	4
Max. conductor size	18 AWG
Housing material	PA66
Surface material	PA66
Contact material	Slivering brass
Nut material	Slivering brass
Ambient temperature[°C]	-25...90
Protection classification	IP68
Approval	CSA
Dimension	 <p>M12 X 1 THREAD</p> <p>O.D. CABLE RANGE .13\"-.26\" [3.3-6.6mm] PG7 STYLE</p>
Wiring	
Connection	With PG 7 cable fitting: 3.3 - 6.6 mm; Screw terminal connection
Accessory (Included)	