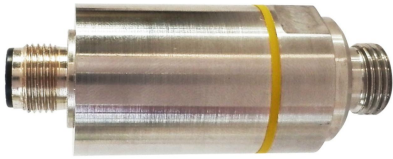
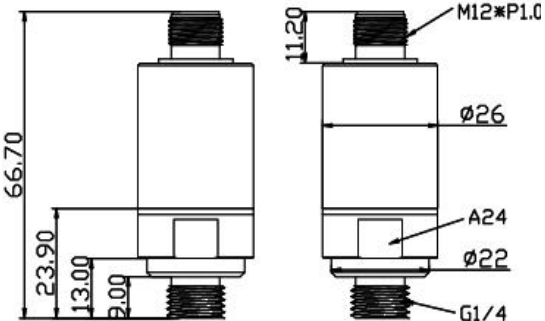
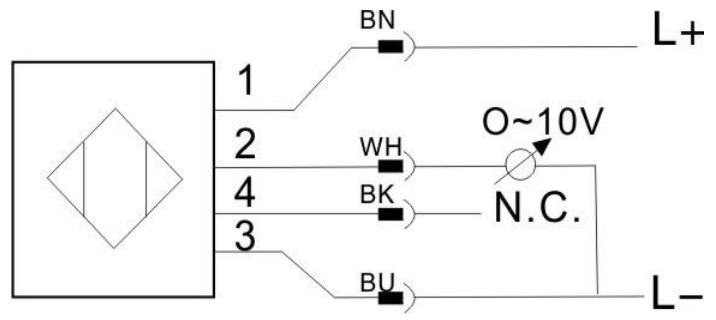
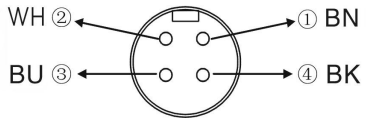


<p>PB2165 Compact Pressure Sensor M12 socket Connection: External thread G1/4 Analogue output Sensing range 0...50bar 0...725Psi 0...50kgf/cm2</p>	 <p>CE RoHS</p>
Applications	Pressure: corresponding pressure
	Liquid and gas
Supply voltage[V]	18...36DC
Reverse polarity protection	Yes
Voltage drop[V]	<2
Current consumption[mA]	<30
Overloading Pressure[bar]	100
Burst pressure[bar]	140
Analogue output	0...10V
Analogue output load[Ohm]	4...20 mA : Max (Ub-10V) x 50 / 0...10V : Min 2000
Consumption	0.72W Max
Final value measured[%]	< ±1
Measuring Accuracy[%]	±1
Output response time[ms]	3
Ambient temperature [°C/°F]	-25...80/-13...176
Medium temperature [°C/°F]	-25...80/-13...176
Storage temperature[°C/°F]	-40...100/-40...212
Protection/Enclosure Rating	IP68
Insulation resistance[MΩ]	> 100(500 V DC)
Dimension[mm]	
ESD EN61000-4-2	4kV (Level 2)
EFT EN61000-4-4	2kV (Level 3)
Walkie talkie experiment[mm]	<10
Shock resistance[g]	50

Vibration resistance[g]	20
Housing material	Stainless steel 304
Probe material/Wetted Parts	V2A(1.4305)/Ceramic/FPM(Viton)/Probe:Stainless steel 316L
Connection	M12 socket
Wiring	
Core color	



ema electronics

website: www.ema-electronic.com

e-mail: sales@ema-electronic.com