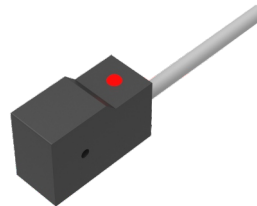


Magnetic Proximity Sensors

Magnetic



Appearance		
Features	Threaded metal case, water-tolerant	
Operating voltage	5~24V DC	
Max. Sensing distance	Iron wire ϕ 1	1.0
	High-speed steel drill ϕ 2	2.0
	Square iron 20X11	2.4
Output type	NPN (N.O.) (when approaching On) model number that ends with a "B " (when approaching OFF)	
Output current	\leq 15mA	
Current consumption	\leq 15mA	
Voltage resistance	AC 1000V 1min	
Insulation resistance	250V DC \geq 20M Ω	
Ambient temperature	-20~+85 $^{\circ}$ C, No freezing	
Ambient humidity	20~95%RH, No condensation	
Motion indicator	Approx 100mm away from the main body	
Material	SUS303	
Mounting	M10 screw, tightening torque 12N \cdot m	
Degree of protection	IP67	
Model NO.	Normally open, no LED indicator	MR-F11
	Normally open, with LED indicator	MR-F11-LED
	Normally closed, no LED indicator	MR-F11-B
	Normally closed, with LED indicator	MR-F11-B-LED



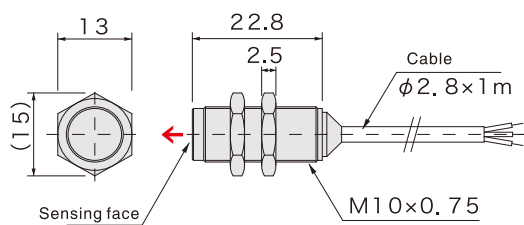
Appearance		
Features	Both sensing faces on the top and bottom is useful	
Operating voltage	5~24V DC	
Max. Sensing distance	Square iron 30X110	6.0
	Square iron 30X12	4.0
Output type	NPN (N.O.) (when approaching ON), model number that ends with a "B "	
Output current	\leq 15mA	
Current consumption	\leq 15mA	
Withstand voltage	AC 1000V 1min	
Insulation resistance	250V DC \geq 20M Ω	
Ambient temperature	-20~+85 $^{\circ}$ C, No freezing	
Ambient humidity	20~80%RH, No condensation	
Motion indicator	Approx. 100mm distance from main body	
Material	GF reinforced PBT	
Mounting	M3 screw, tightening torque 0.3N \cdot m	
Degree of protection	IP65	
Model NO.	Normally open	MR-F2
	Normally closed	MR-F2-B

Guidance

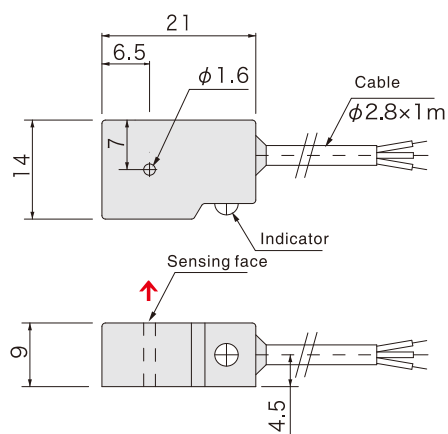
Magnetic

- Magnetic sensors
- High precision cylinder
- Combined cylinder
- Near iron sensor
- Door sensors
- Linear sensors
- Ordinary magnets
- High precision composite magnets
- Mounting accessories

MR-F1



MR-F2



- Fiber Optic
- Slot Sensors
- Photoelectric
- Laser
- Proximity
- Displacement
- Magnetic**
- Contact
- Area
- Ultrasonic
- Vibration
- Temperature
- Cables
- Tester

Guidance

Magnetic

- Magnetic sensors
- High precision cylinder
- Combined cylinder

Near iron sensor

- Door sensors
- Linear sensors
- Ordinary magnets
- High precision composite magnets
- Mounting accessories