

Door Sensors

Upward Detection

Magnetic



Appearance		
Sensing distance	15mm	
Operating voltage	5~24V DC	
Output type	NPN (N.O.) (when approaching ON) model number that ends with a "B" (when approaching OFF)	
Output current	≤ 15mA	≤ 80mA
Current consumption	≤ 15mA	
Response time	5 μs	
Withstand voltage	AC 1000V 1min	
Insulation resistance	250V DC ≥ 20M Ω	
Ambient temperature	-20~+85°C, No freezing	
Ambient humidity	20~95%RH, No condensation	
Material	GF reinforced PBT(black)	
Mounting	M3 screw tightening torque 0.8N · m	
Degree of protection	IP67	
Model NO.	Normally open	MR-D2P
	Normally closed	MR-D2PB

(Matching magnet)
MR-DM2

Sideway Detection



Appearance		
Sensing distance	12mm	
Operating voltage	12~24V DC	
Output type	NPN (N.O.) (when approaching ON) model number that ends with a "B" (when approaching OFF)	
Output current	≤ 80mA	
Current consumption	≤ 15mA	≤ 80mA
Response time	5 μs	
Withstand voltage	AC 1000V 1min	
Insulation resistance	250V DC ≥ 20M Ω	
Ambient temperature	-20~+85°C, No freezing	
Ambient humidity	20~95%RH, No condensation	
Material	GF reinforced PBT	
Cable specification	N.O.: Grey N.C.: Black	
Mounting	M3 screw tightening torque 0.8N · m	
Degree of protection	IP67	
Model NO.	Normally open	MR-D2XP
	Normally closed	MR-D2XPB

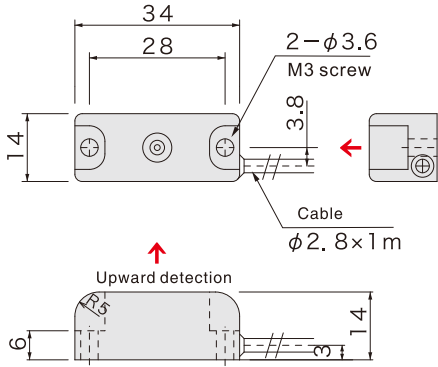
(Matching magnet)
MR-DM2X

- Fiber Optic
- Slot Sensors
- Photoelectric
- Laser
- Proximity
- Displacement
- Magnetic**
- Contact
- Area
- Ultrasonic
- Vibration
- Temperature
- Cables
- Tester

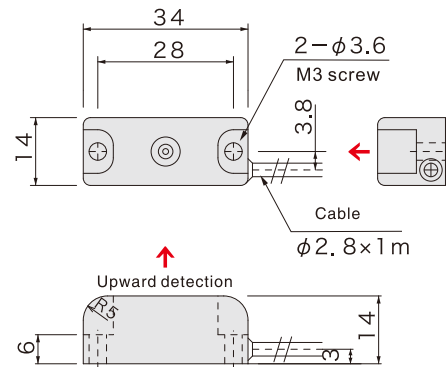
Guidance

- Magnetic**
- Magnetic sensors
- High precision cylinder
- Combined cylinder
- Near iron sensor
- Door sensors**
- Linear sensors
- Ordinary magnets
- High precision composite magnets
- Mounting accessories

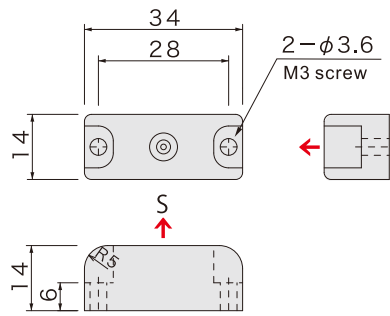
MR-D2



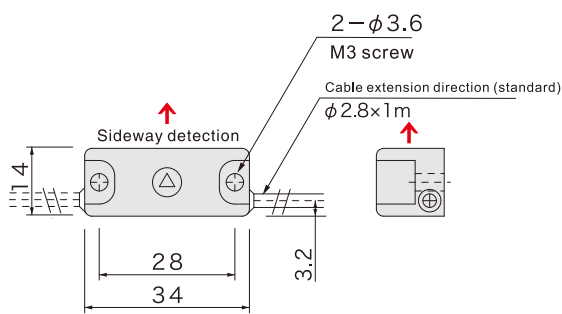
MR-D2P/D2PB



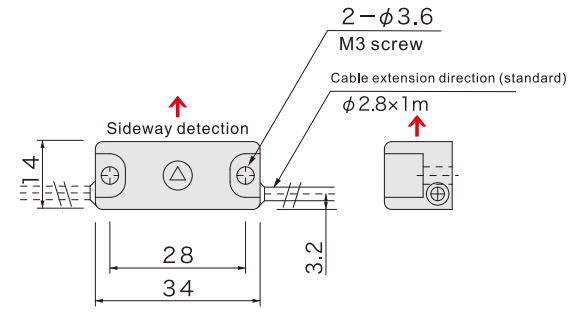
MR-DM2



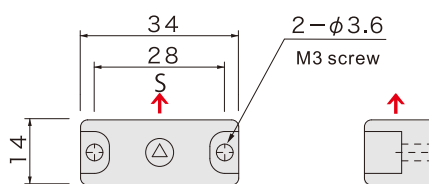
MR-D2X



MR-D2XP/D2XPB



MR-DM2X



Fiber Optic
Slot Sensors
Photoelectric
Laser
Proximity
Displacement
Magnetic
Contact
Area
Ultrasonic
Vibration
Temperature
Cables
Tester

Guidance

Magnetic
Magnetic sensors
High precision cylinder
Combined cylinder
Near iron sensor
Door sensors
Linear sensors
Ordinary magnets
High precision composite magnets
Mounting accessories