



NEW!

Sensing type	Disffuse reeffective – Background suppression
Sensing distance	2 ~ 300mm ( matte white paper)
Setting distance	30~300mm
Spot size	About Ø16mm/30cm
Hysteresis	≤5%
Output	NPN/PNP Open – collector
Switch type	L.on /D.on switchable
Indicators	Power: green; motion indicator: red
Response time	≤1ms
Sensivity adjustment	6 turns adjuster
Light source	Red LED 623nm (modulation)
Supply voltage	10~30V DC
Residual voltage	<1.5V
Current consumption	≤25mA
Load current	≤100mA
Circuit protection	Power reverse polarity protection/surge protection/short circuit protection
Ambient illumination	Sunlight ≤10,000 lux, incandescent lamp ≤3,000 lux
Ambient temperature	Working temperature: –25℃~+55℃, no freezing; storage: –30 ~ +70℃
Ambient humidity	Working: 35%~85%RH; storage: 35%~95%RH,; no condensation
Degree of protection	IP67
Connection	φ 4 mm, 2 m 4 wire cable
Material	PBT+glass fiber (housing); PMMA (lens)
Accessories	screwdriver
Model No.	NPN <b>ESB-B30N</b> PNP <b>ESB-B30P</b>

Guidance

Photoelectric

Cylindrical

Square

Flat type

Thin type

BGS

Transparent detection

Color/Mark Detection

TOF type

IP69K high protection type

Anti-glare type

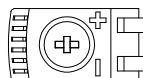
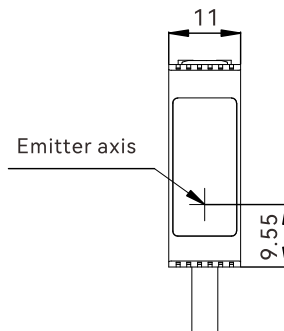
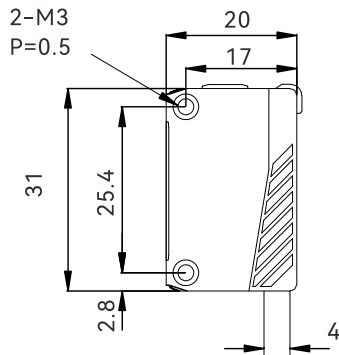
IO-Link type

Reflectors

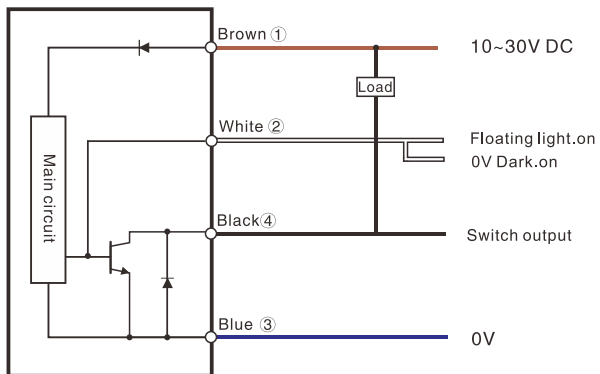
Reflectors

Dimensions

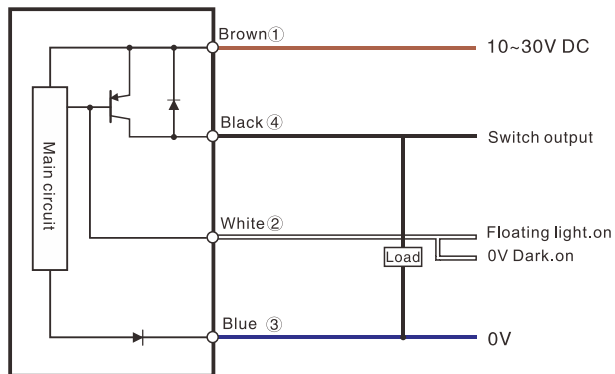
Unit: mm



NPN Output



PNP Output



- Fiber Optic
- Slot Sensors
- Photoelectric**
- Laser
- Proximity
- Displacement
- Magnetic
- Contact
- Area
- Ultrasonic
- Vision
- Code Readers
- Vibration
- Temperature
- Accessories

Guidance

Photoelectric

- Cylindrical
- Square
- Flat type
- Thin type

BGS

- Transparent detection
- Color/Mark Detection
- TOF type
- IP69K high protection type
- Anti-glare type
- IO-Link type

Reflectors

- Reflectors