

Waterproof Type

BPL series

Area



Appearance	
Sectional area	φ 48mm
NO.of beams	4~32
Protection height	50~1240mm
Protection distance	0.3~3m
Beam pitch	10/14/20/25/30/40mm
Min. sized detectable objects	> φ 15/φ 19/φ 25/φ 30/φ 35/φ 45mm, opaque
Supply voltage	24V DC±10%
Current consumption	<200mA
Power consumption	3~8W
Output type	NPN/PNP
Synchronization type	Line synchronization
Response time	≤15ms
Light source	Reverse LED (Modulated)
Protective circuit	Reverse polarity, output short circuit protection
Ambient temperature	-10~+55°C, No freezing
Ambient humidity	35~85%RH, No condensation
Anti-interference ability	10000Lux
Insulation resistance	Above 100MΩ, Based on 500V DC megger
Degree of protection	IP68
Material	Aluminium alloy
Connection	M12 connector
Accessories	Cable length 3m, female (Customization available)

Light curtains

- Standard type
- Top-emitting type
- Side-emitting type

Waterproof type

- Measuring type
- Economical type

Safety Light Curtain

- Beam pitch 10mm
- Beam pitch 20mm
- Beam pitch 30mm
- Beam pitch 40mm

LIDAR scanner

- TOF LIDAR scanner
- MINI LIDAR scanner
- Navigation LIDAR

BPL10

Beam pitch	10mm							
Min. sized detectable objects	> φ 15, opaque							
Protection distance	0.3~3m							
NO.of beams	6	8	10	12	14	32	
Protection height	50mm	70mm	90mm	110mm	130mm	310mm	
Light curtain height	118mm	138mm	158mm	178mm	198mm	378mm	
Model NO.	NPN NC	BPL10-T0603NC	BPL10-T0803NC	BPL10-T1003NC	BPL10-T1203NC	BPL10-T1403NC	BPL10-T3203NC
	PNP NC	BPL10-T0603PC	BPL10-T0803PC	BPL10-T1003PC	BPL10-T1203PC	BPL10-T1403PC	BPL10-T3203PC

BPL14

Beam pitch	14mm							
Min. sized detectable objects	> φ 19, opaque							
Protection distance	0.3~3m							
NO.of beams	6	8	10	12	14	32	
Protection height	70mm	98mm	126mm	154mm	182mm	434mm	
Light curtain height	140mm	168mm	196mm	224mm	252mm	504mm	
Model NO.	NPN NC	BPL14-T0603NC	BPL14-T0803NC	BPL14-T1003NC	BPL14-T1203NC	BPL14-T1403NC	BPL14-T3203NC
	PNP NC	BPL14-T0603PC	BPL14-T0803PC	BPL14-T1003PC	BPL14-T1203PC	BPL14-T1403PC	BPL14-T3203PC

BPL20

Beam pitch	20mm							
Min. sized detectable objects	> ϕ 20, opaque							
Protection distance	0.3~3m							
NO. of beams	4	6	8	10	12	32	
Protection height	60mm	100mm	140mm	180mm	220mm	620mm	
Light curtain height	127mm	167mm	207mm	247mm	287mm	687mm	
Model NO.	NPN NC	BPL20-T0403NC	BPL20-T0603NC	BPL20-T0803NC	BPL20-T1003NC	BPL20-T1203NC	BPL20-T3203NC
	PNP NC	BPL20-T0403PC	BPL20-T0603PC	BPL20-T0803PC	BPL20-T1003PC	BPL20-T1203PC	BPL20-T3203PC

BPL25

Beam pitch	25mm							
Min. sized detectable objects	> ϕ 30, opaque							
Protection distance	0.3~3m							
NO. of beams	6	8	10	12	14	32	
Protection height	125mm	175mm	225mm	275mm	325mm	775mm	
Light curtain height	194,5mm	244,5mm	294,5mm	344,5mm	394,5mm	844,5mm	
Model NO.	NPN NC	BPL25-T0603NC	BPL25-T0803NC	BPL25-T1003NC	BPL25-T1203NC	BPL25-T1403NC	BPL25-T3203NC
	PNP NC	BPL25-T0603PC	BPL25-T0803PC	BPL25-T1003PC	BPL25-T1203PC	BPL25-T1403PC	BPL25-T3203PC

BPL30

Beam pitch	30mm							
Min. sized detectable objects	> ϕ 35, opaque							
Protection distance	0.3~3m							
NO. of beams	4	6	8	10	12	32	
Protection height	90mm	150mm	210mm	270mm	330mm	930mm	
Light curtain height	162mm	222mm	282mm	342mm	402mm	1002mm	
Model NO.	NPN NC	BPL30-T0403NC	BPL30-T0603NC	BPL30-T0803NC	BPL30-T1003NC	BPL30-T1203NC	BPL30-T3203NC
	PNP NC	BPL30-T0403PC	BPL30-T0603PC	BPL30-T0803PC	BPL30-T1003PC	BPL30-T1203PC	BPL30-T3203PC

BPL40

Beam pitch	40mm							
Min. sized detectable objects	> ϕ 45, opaque							
Protection distance	0.3~3m							
NO. of beams	4	6	8	10	12	32	
Protection height	120mm	200mm	280mm	360mm	440mm	1240mm	
Light curtain height	197mm	277mm	357mm	437mm	517mm	1317mm	
Model NO.	NPN NC	BPL40-T0403NC	BPL40-T0603NC	BPL40-T0803NC	BPL40-T1003NC	BPL40-T1203NC	BPL40-T3203NC
	PNP NC	BPL40-T0403PC	BPL40-T0603PC	BPL40-T0803PC	BPL40-T1003PC	BPL40-T1203PC	BPL40-T3203PC

Fiber Optic
Slot Sensors
Photoelectric
Laser
Proximity
Displacement
Magnetic
Contact
Area
Ultrasonic
Vibration
Temperature
Cables
Tester

Guidance

Light curtains
Standard type
Top-emitting type
Side-emitting type
Waterproof type
Measuring type
Economical type

Safety Light Curtain

Beam pitch 10mm
Beam pitch 20mm
Beam pitch 30mm
Beam pitch 40mm

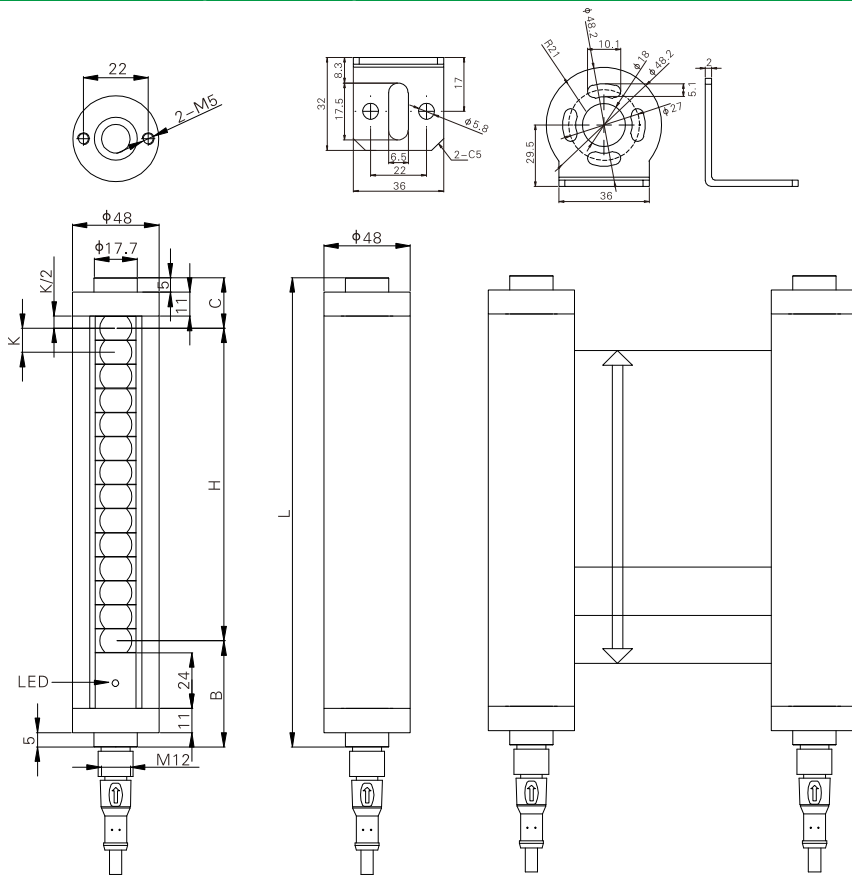
LIDAR scanner

TOF LIDAR scanner
MINI LIDAR scanner
Navigation LIDAR

Waterproof Type

Dimensions(Unit:mm)

Area

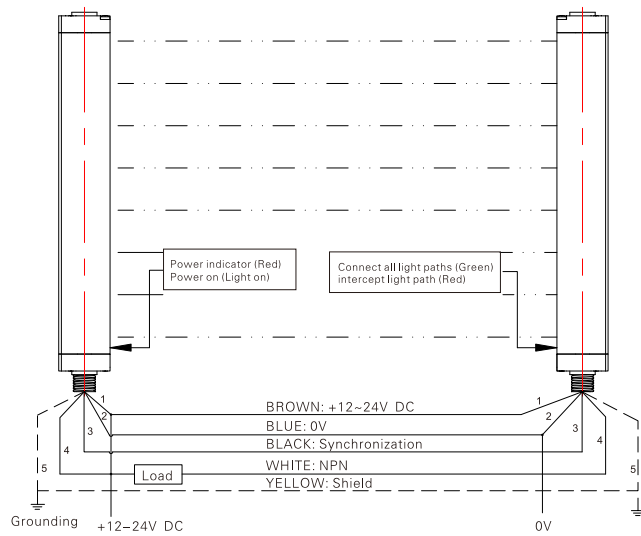


BPL10	BPL25
K: 10	K: 25
H: (N-1)*10	H: (N-1)*25
L: H+68	L: H+69.5
B: 47	B: 41
C: 21	C: 28.5
BPL14	BPL30
K: 14	K: 30
H: (N-1)*14	H: (N-1)*30
L: H+70	L: H+72
B: 47	B: 41
C: 23	C: 31
BPL20	BPL40
K: 20	K: 40
H: (N-1)*20	H: (N-1)*40
L: H+67	L: H+77
B: 41	B: 41
C: 26	C: 36

N: No. of beams
 K: Beam pitch
 H: Protection Height=(N-1)K
 L: Light curtain total height=H+B+C
 B: Lower blind height
 C: Upper blind height=K/2+16

Connection Diagram

NPN



PNP

