

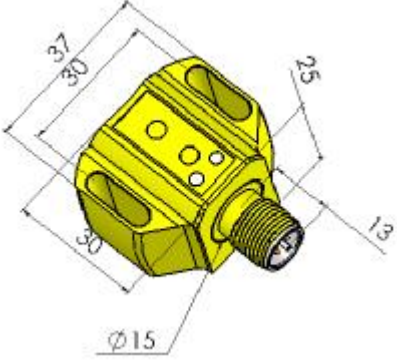


<p>IV0008 Valve Proximity Switches</p> <p>Socket</p> <p>40*30*25mm Sensing range: 4mm[nf]</p> <p>Non flush mounting</p>	 <p>CE RoHS</p>
Electric design	DC NPN
Output function	NC 
Operating voltage	10...36 DC
Current loading[mA]	250
Short circuit protection	YES
Reverse polarity protection	YES
Overload protection	YES
Voltage drop[V]	<2.5
Current consumption[mA]	<15(24V)
Practical sensing range[mm]	4±10%
Operating range[mm]	0...3.25
Switch point-drift [%/Sr]	-10...10
Hysteresis[%/Sr]	1...15
Switch frequency	1300
Adjustment factor	Low carbon steel=1/stainless steel approx0.7/Brass approx0.3/Alumium approx0.3/Copper approx0.2
Enviornmental temperature[°C]	-25°C...80°C
Protection classification	IP67
Dimension picture	
Housing material	PBT+30%GF
Function display switching status LED	Red: up sensing surface output; Green: lower sensing surface output
Connection	PVC/2m; 4x0.14mm ²
<p>Connection picture</p> <p>Core color</p> <p>BN brown+</p> <p>Bu blue-</p> <p>WH white NO UP</p> <p>BK black NO DN</p> 