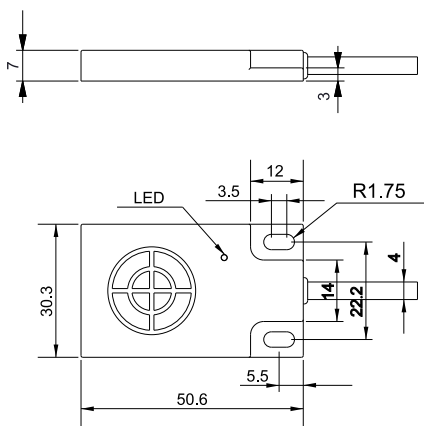


Appearance

Sensing distance	5mm(adjustable)	10mm(adjustable)
Housing material	Plastic, black/blue	
Operating voltage	24V DC(Ripple < 10%)	
Voltage drop	≤15V@1L=50mA	
Output type	NPN or PNP –NO/NC	
Load Current, Max	≤50mA	
Current consumption	≤100mA	
Switch frequency	10Hz	
Repeat accuracy	< 5%	
Operating Temperature	0°C~+60°C	
Storage temperature	-30°C~+75°C	
Temperature drift	≤20%	
Protective circuit	Reverse polarity, Over voltage pulse protection, Short circuit	
Degree of protection	IP67	
Model No.	NPN Normally open	CQ07-05 NO
	NPN Normally closed	CQ07-10 NC
	PNP Normally open	
	PNP Normally closed	

Dimensions (Unit:mm)



Fiber Optic

Slot Sensors

Photoelectric

Laser

Proximity

Displacement

Magnetic

Contact

Area

Ultrasonic

Vision

Vibration

Temperature

Annexes

Guidance

Inductive sensors

Standard distance

Extended distance

Long distance

Square

Mini square

Mini-cylindrical

Short-body

Ring-type

Metal face

Temperature

Analog output

DC 2 wires

IP69K high protection

Capacitive sensors

Cylindrical

Correction

resistance type

Flat type

Level detection