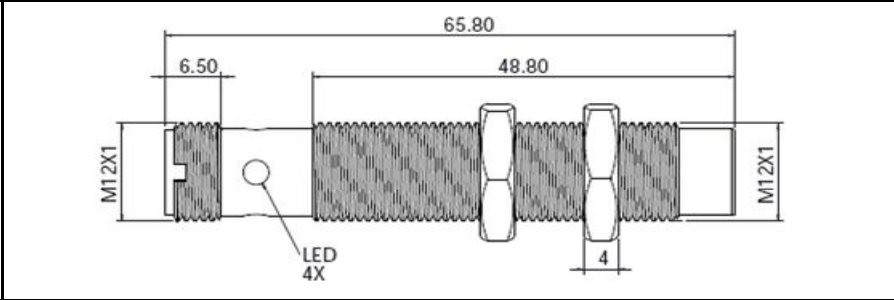


IB1114
Inductive proximity sensor
Metal thread M12 x 1.0
M12 Socket
Size 66mm
Gold-plated contact
Sensing range 6mm[f]
Non-FI ush



Electric design	DC 3 Wire
Output	PNP NC
Operating voltage [V]	10...36 DC
Current loading [mA]	100
Short-circuit protection	Yes
Reverse polarity protection	Yes
Overload protection	Yes
Voltage drop [V]	<2.5
Consumed current[mA]	<15
Real sensing range [mm]	6±10%
Operating range [mm]	0...4.8
Switch-point drift [%/Sr]	-10...10
Hysteresis [%/Sr]	3...20
Switching frequency [Hz]	700
Adjustment factors	Low carbon steel=1 /Stainless steel approx 0.7 /Brass approx 0.5 / Alumium approx 0.4 / Copper approx 0.3
Operating temperature [°C]	-25...75
Ambient humidity	35...95
Protection classification	IP67

Dimension



Housing material	Stainless steel , Sensing face: PBT
Switching state display LED	Red (90°)(90°)
Connection	M12 Socket
Wiring	
Core color	
BN +	
BU -	
BK Signal Line	

Accessory(Included)	Two fixed nuts
---------------------	----------------