

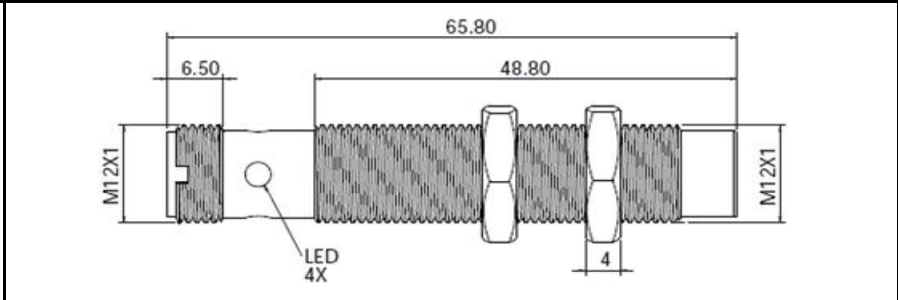
IB1024
Inductive proximity sensor
Metal thread M12 x 1.0
M12 Socket
Size 66mm
Gold-plated contact
Sensing range 4mm[f]
Non-flush



CE RoHS

Electric design	DC 2 Wire
Output	NC
Operating voltage [V]	10...36 DC
Current loading [mA]	100
Short-circuit protection	Yes
Reverse polarity protection	Yes
Overload protection	Yes
Voltage drop [V]	<4
Consumed current[mA]	<0.6
Real sensing range [mm]	4±10%
Operating range [mm]	0...3.2
Switch-point drift [%/Sr]	-10...10
Hysteresis [%/Sr]	3...20
Switching frequency [Hz]	700
Adjustment factors	Low carbon steel=1 /Stainless steel approx 0.7 /Brass approx 0.5 / Alumium approx 0.4 / Copper approx 0.3
Operating temperature [°C]	-25...75
Ambient humidity	35...95
Protection classification	IP67

Dimension



Housing material: Stainless steel , Sensing face: PBT

Switching state display LED: Red (90°)(90°)

Connection: M12 Socket

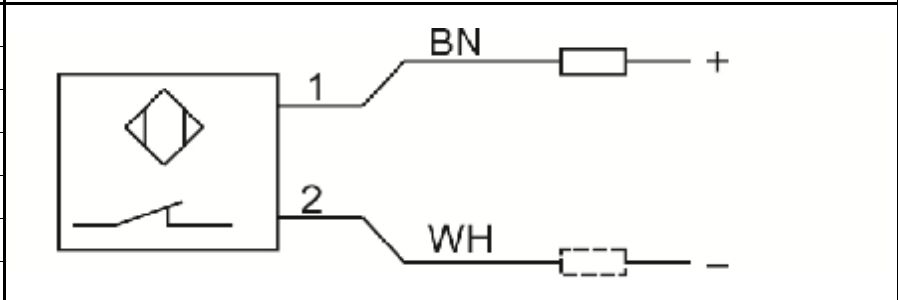
Wiring

Core color

BN +

BU -

BK Signal Line



Accessory(Included): Two fixed nuts